

Presence and motion detector 360° top unit BT

Order no.: 5377 02

Operating instructions

1 Safety instructions



Electrical devices may only be mounted and connected by electrically skilled persons.

Serious injuries, fire or property damage possible. Please read and follow manual fully.

Danger of electric shock. Always disconnect before carrying out work on the device or load. In so doing, take all the circuit breakers into account, which support dangerous voltages to the device and or load.

Danger of electric shock. The device is not suitable for disconnection from supply voltage. Depending on the insert used, the load is not electrically isolated from the mains, even when the device is switched off.

Do not press on the sensor window. Device can be damaged.

The device is not suitable for use as a burglar alarm or other alarm.

These instructions are an integral part of the product, and must remain with the end customer.

2 Device components

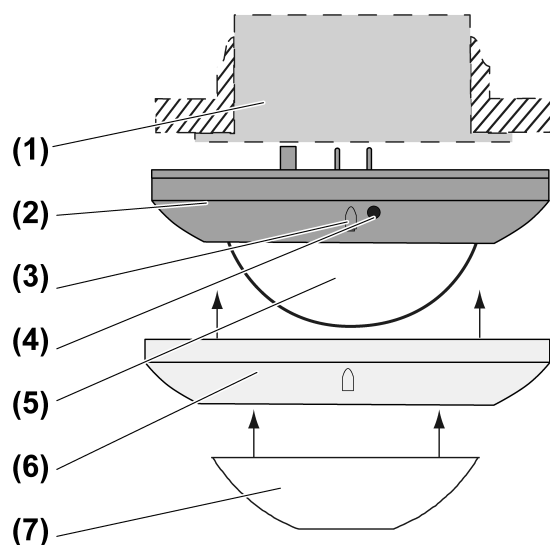


Figure 1: Device components

- (1) FM insert
- (2) Sensor top
- (3) Brightness sensor
- (4) Button **Bluetooth**
- (5) Sensor window and status LEDs
- (6) Decor ring
- (7) Push-on cover

Status LED

Red LED lights up	Self-test
-------------------	-----------

Red LED flashes three times followed by a 1 s pause	Cover was previously connected to another insert
Yellow LED lights up	"Continuous OFF" or "Timer OFF" function active
Yellow LED flashes	Presence simulation active
Green LED lights up	"Continuous ON" or "Timer ON" function active
Blue LED lights up	Device is coupled with a mobile end device and active app
Blue LED flashes 0.5 s on / 0.5 s off	Bluetooth coupling mode active

3 Intended use

- Automatic switching of lighting depending on the heat motion and ambient brightness
- Operation with flush-mounted insert for dimming or switching or 3-wire extension
- Ceiling installation on flush-mounted insert.

Product characteristics

Functions directly on the cover

- Extension of the detection area in combination with 3-wire extension
- Operation with 2-wire or 3-wire extension, rotary dimmer extension or push-button
- Dimming light via extension with dimming insert
- Resetting to factory setting
- Push-on cover for limiting the detection field

Functions via app

- Setting the device as presence detector or motion detector
- Setting the brightness threshold
- Separate adjustment of the sensitivity of the three PIR sensors
- Setting the run-on time
- Continuous ON, Continuous OFF
- Timer ON or OFF for 0.5 - 5 hours
- Switch-off pre-warning
- Presence simulation
- Walking test

In combination with a dimming insert

- Switching on with saved switch-on brightness

Automatic operation

The device detects heat motions of people, animals and objects.

- The light is switched on if a person enters the detection field and the brightness threshold is below the set brightness threshold.
- The run-on time restarts with each detected motion.
- The light is switched off, if:
no more movement is detected in the detection field and the run-on time has elapsed or the ambient light is too bright and the run-on time has elapsed.

To avoid any switch-on caused by a cooling illuminant, no movement signals are evaluated for a brief lockout time after switching off. The motion detector adjusts itself to the ambient conditions to keep the time as short as possible.

Behaviour after a mains voltage failure

After mains voltage return, the device performs a self-test for a maximum of 20 seconds. After the self-test has been completed, the device is ready for operation.

- i** If the red status LED flashes three times at repeated intervals, the cover was previously connected to another insert. To enable the function again, either place the cover onto the respective insert or press the Bluetooth button (4) for longer than 4 seconds.

The following applies during the self-test:

- The red status LED is illuminated.
- The load is switched off.
- Movements are not detected
- The device can be operated via extensions

4 Commissioning

Install app on a mobile end device

Requirement for operation via app is a mobile end device with Bluetooth interface, running the Android operating system (from version Version 5.0) or iOS (from version 10).

- Download and install the Gira System 3000 app from the iTunes App Store (iOS) or the Google Play Store (Android).

Couple mobile end devices via Bluetooth

Precondition: insert and cover must be ready for operation. The mobile end device is located close to the cover.

- Activate coupling mode: Press the **Bluetooth** ⌘ button (4) (Figure 1) for more than 4 seconds.
The blue LED flashes. The coupling mode is active for one minute.
 - Start the app and search for device to be coupled.
Cover is coupled with the end device and shown in the app.
The coupling mode is automatically exited after successful coupling. The blue LED lights up to confirm an active connection.
- i** A maximum of 8 mobile end devices can be coupled with a cover. When coupling the 9th device, the oldest device will be deleted.

5 Operation

The app is used for the configuration and operation of the device. Some basic functions can also be operated via connected extensions.

Operation using 2-wire or 3-wire extension with button cover or push-button

Multiple extensions can be combined with each other. All operations described here are also possible via the app. Operation with the rotary dimmer extension is described in the rotary dimmer extension instructions.

Switching on light for the duration of the run-on time

- i** Short-time operation: When pressed, pulses are generated approx. every 3 seconds for 1 minute. Exception for 3-wire extension: only one pulse is generated.
- Press the button cover or push-button briefly.
- i** Motion detector operation: If the button cover or push-button is pressed again after switching on, the run-on time is restarted. In combination with a dimming insert, switch-on brightness is switched on again.

Switching the light off for 3 minutes

- i** This function can only be used in presence detector operation.
- Press the button cover at the bottom or push-button briefly.
The light is switched off for the period of 3 minutes. When movements are detected, the time is restarted.

Adjust the brightness, only in combination with dimming insert

- Long press on button cover at the top or bottom or push-button.

Save switch-on brightness, only in combination with dimming insert

- Adjust the brightness.
- Press the button cover over entire surface for longer than 4 seconds.

- i** An push-button cannot be used to save the switch-on brightness.

Delete switch-on brightness, only in combination with dimming insert

- Press the button cover briefly: Light switches on at the saved switch-on brightness.
- Press the button cover over the entire surface for longer than 4 seconds: Switch-on brightness is deleted. Switching on takes place at the last brightness value set.

- i** A push-button cannot be used to delete the switch-on brightness.

6 Information for electrically skilled persons



DANGER!

Mortal danger of electric shock.

Disconnect the device. Cover up live parts.

Detection field and range

The device has a detection field of 360°. The diameter of the detection field depends on the installation height and the direction of persons in the detection field. The detection field becomes larger the greater the installation height, while the detection density and sensitivity are reduced at the same time.

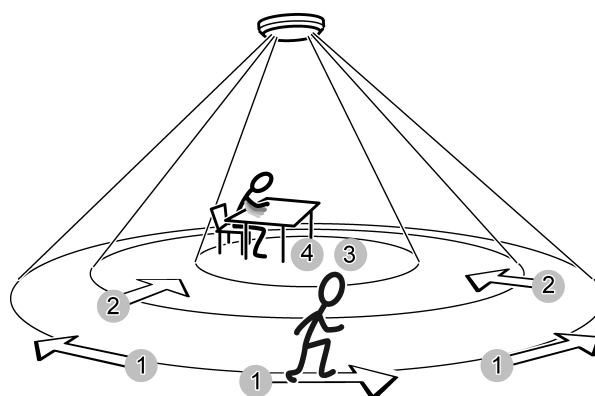


Figure 2: Detection range depending on the direction of movement

Diameter of detection field for direction of movement

Installation height	1:	2:	3:	4:
2.20 m	14.50 m	11.50 m	8.00 m	6.00 m
2.50 m	16.50 m	13.00 m	10.00 m	7.00 m
3.00 m	20.00 m	16.00 m	12.00 m	8.00 m

Installation height	1:	2:	3:	4:
3.50 m	23.00 m	18.50 m	14.00 m	9.00 m
4.00 m	26.00 m	17.00 m	14.50 m *)	– *)
5.00 m	28.00 m	18.00 m	15.00 m *)	– *)
6.00 m	29.00 m	19.00 m	– *)	– *)

- 1: Range for tangential movement on the ground
 2: Range for radial movement on the ground
 3: Range for typical movements at desks, e.g. torso movement
 4: Range of fine detection at desks, e.g. mouse movements
 *) When used as a presence detector: Installation height should not be more than 3.5 m, otherwise fine detection is not possible.

Selecting installation location

For use as a presence detector, the device is installed, for example, above a workplace and monitors the surface below it. For use as a motion detector, the device is installed, for example, in the hallway.

- Select a vibration-free installation location. Vibrations can lead to unwanted switching.
 - Avoid interference sources in the detection area. Interference sources can trigger the motion detector, e.g. heat sources such as heating units, outlets from ventilation openings or air conditioners, copiers, printers, coffee machines, draughty doorways, animals etc.
- i** The detection field can be limited in order to minimise the influence of interference sources. For this, use the push-on cover (see Limiting the detection field using the push-on cover) or switch off individual sensors (see Configuring device settings).

Aligning cover

The device has three independent sensors for motion detection. The arrangement of the areas A, B and C is clearly evident under the decor ring (Figure 4).

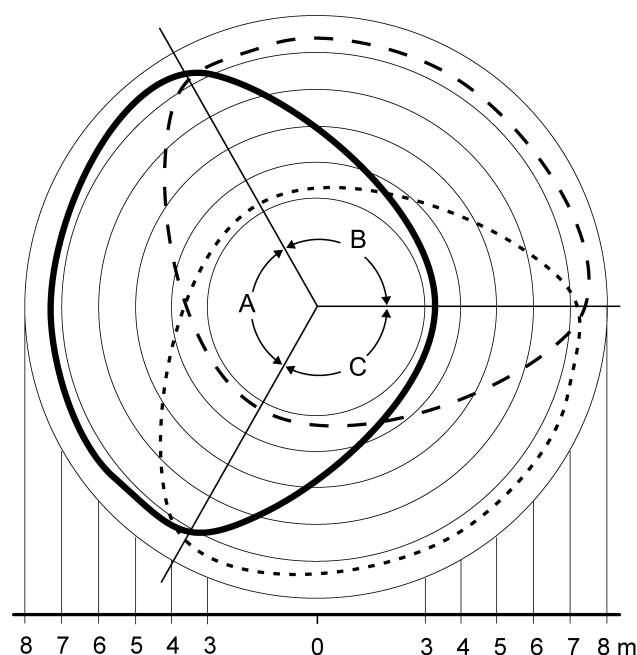


Figure 3: Detection field: areas A, B and C; installation height 2.20 m

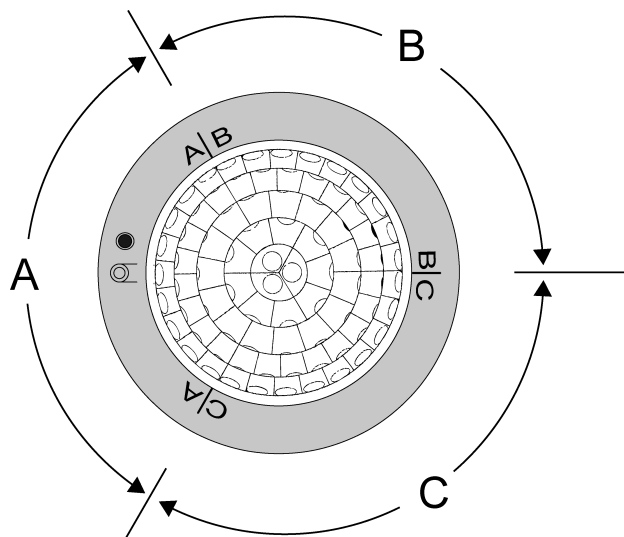


Figure 4: Arrangement of the areas A, B and C

- Pay attention to correct alignment when mounting the appliance box and flush-mounted insert.
- Align the cover so that the brightness sensor is on the side away from the windows. This reduces the effects of scattered light.

Fitting the cover

- Connect flush-mounted insert properly and mount in accordance with the desired orientation of the cover (see instructions for flush-mounted insert).
 - Fit the cover on the flush-mounted insert
 - Switch on mains voltage.
- i** If the red status LED flashes three times at repeated intervals, the cover was previously connected to another insert. If the cover is to remain on the insert, press the Bluetooth button (4) for longer than 4 seconds.

Limiting the detection field using the push-on cover

The push-on cover can be used to limit the detection field, e.g. in order to mask out interference sources.

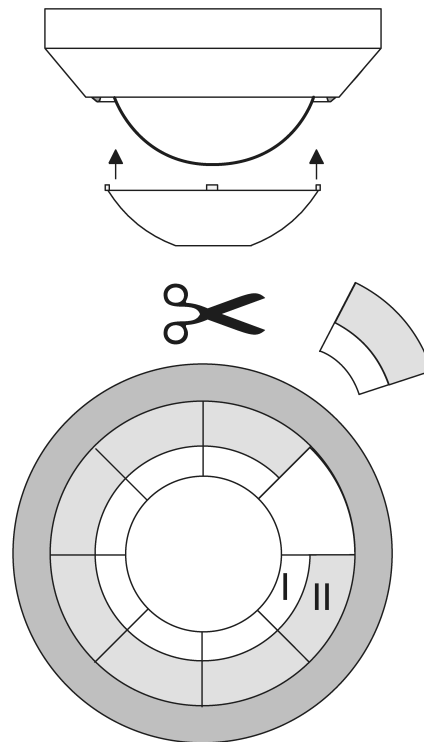


Figure 5: Push-on cover

Size	Range on the ground (mounting height 3 m)
Complete push-on cover	Ø approx. 4.5 m
Area I cut out	Ø approx. 7.5 m
Areas I + II cut out	Ø approx. 12 m
without push-on cover	Ø approx. 20 m

- Pull off push-on cover.
 - Using scissors, cut out push-on cover along the marked lines as required.
 - Push on push-on cover.
- i** Alternatively, the detection field can also be limited via the app by reducing the sensitivity or switching off individual sensors.

Expanding the detection field

To expand the detection field, connect a 3-wire extension with presence or motion detector cover. The main device also evaluates signals of the extension and, if necessary, switches the lighting on.

Configuring device settings

Settings are configured via the app

Default settings

Function	Setting
Operating mode	Motion detector
Operating mode	Automatic operation
Sensitivity of sensors A-C	100 %
Detection angle	360°, sensors A-C active
Brightness threshold	10 lux

Function	Setting
Run-on time	2 minutes
Supplementary function	switched-off

Checking detection field

Any motions detected are displayed in the app and by the red LED. The lighting is switched on for approx. 1 second. If the light is not to be switched dependent on motion, the Continuous ON or Continuous OFF function should also be activated.

- i** 3-wire extension: detected motions are sent to the main device. This switches according to its settings.
- Activate the walking test via the app and pace off the detection field. The function is automatically terminated after approx 5 minutes.

Restoring the device to factory settings

- i** After resetting the device to the default setting, it has to be removed from the app. On iOS equipment, the device also has to be removed from the list of paired Bluetooth devices (Settings/Bluetooth). Otherwise, re-pairing will not be possible.
- Briefly disconnect the device from the mains voltage.
Red LED lights up, self-test runs.
- Within 1 minute after switching on the mains voltage, press the **Bluetooth** ⌘ button for longer than 20 seconds.
At the conclusion of the self-test or after 4 seconds, the blue LED flashes slowly. Coupling mode is active; keep the **Bluetooth** ⌘ button pressed. After approx. 20 seconds, the blue LED goes out and the red LED flashes quickly.
- Within 10 seconds, release the **Bluetooth** ⌘ button and press briefly once again.
The red LED flashes more slowly, device is reset to the factory settings and restarts.

7 Technical data

Ambient temperature	-5 ... +45 °C
Storage/transport temperature	-25 ... +70 °C
Dimensions Ø×H	103 × 66 mm
Installation height	3 m
Detection area	Ø approx. 20 m (installation height 3 m)
Detection angle	360 °
Sensitivity	0, 25, 50, 75, 100 %
Brightness threshold	
Motion detector operation	approx. 5 ... 500 lx (and day operation)
Presence detector operation	approx. 5 ... 1000 lx (and day operation)
Short time operation	
pulse duration	approx. 0.5 s
pulse stop	approx. 3 s
Bluetooth	
Radio frequency	2.402 ... 2.480 GHz
Transmission capacity	max. 2.5 mW, Class 2
Transmitting range	typ. 10 m

8 Parameter list

Adjustable parameter list via app

Depending on the insert, the following parameters can be changed with the app.

Settings for switch and dimming inserts

Parameters	Setting options, default setting	Explanation
Operating mode	Motion detector operation Presence detector operation Default setting: motion detector operation	Setting whether the device operates as a motion detector or presence detector.
Operating mode	Automatic mode Timer OFF Timer ON Continuous OFF, Continuous ON Default setting: automatic mode	Automatic: The load is switched depending on motion and brightness. Continuous OFF or ON: The load is permanently switched off or on. Timer OFF or ON: The load is switched off or on for the specified time. Afterwards, the device is in automatic mode again.
Setting timer ON	0.5 - 5 hours Default setting: 2 h	Time for which the load remains switched on when the "Timer ON" function is activated.
Setting timer OFF	0.5 - 5 hours Default setting: 2 h	Time for which the load remains switched off when the "Timer OFF" function is activated.
Run-on time	10 s ... 60 min Default setting: 2 min	The load remains switched on for this time, even if no more motion is detected or the ambient light is bright enough.
Brightness threshold	Motion detector: 5... 500 lx Presence detector: 5... 1000 lx and day operation Default setting: 10 lx	The load is switched on if the brightness value falls below this value and if motion is detected.
Using the current brightness	The current brightness can be stored in a range of 5 to 500 lx or 1000 lx.	Sets the brightness threshold parameter in the app to the current brightness.
Sensor sensitivity	0, 25, 50, 75, 100 % Default setting: 100%	Individually adjust the sensitivity in 5 steps for each sensor A–C. To restrict the detection field, switch off individual sensors. To do this, set the sensitivity to 0 %.
Presence simulation	On, Off Default setting: Off	The function can only be activated after more than 24 hours of time was saved. In automatic mode, the times at which the lighting was switched on are continuously saved. A maximum of 60 switching operations are saved over a period of 24 hours. If more switching operations take place, the oldest ones are

Parameters	Setting options, default setting	Explanation
		overwritten respectively. If the presence simulation is activated, the lighting is switched on at the saved times depending on the brightness. Switch-off takes place after the run-on time has elapsed. Detected motions prolong the run-on time or the light is switched on depending on brightness. Times are not saved. The dynamic run-on time is not taken into account.
Activating the day operation	On, Off Default setting: Off	In the setting day operation the device operates independently of the brightness.
Activating the walking test	On, Off Default setting: Off	Function for checking the detection field. The function automatically terminates after 5 minutes.

Settings only for switch inserts

Parameters	Setting options, default setting	Explanation
Switch-off pre-warning	On, Off Default setting: Off	If the switch-off pre-warning is activated, the light is not switched off immediately after the run-on time has elapsed. Triple flashing at an interval of 10 seconds shows that the light will be switched off soon. The run-on time is thereby prolonged by approx. 30 seconds. If motion is detected during the switch-off pre-warning, then the run-on time is restarted and the light remains on.

Settings only for dimming inserts

Parameters	Setting options, default setting	Explanation
Switch-off pre-warning	On, Off Default setting: Off	If the switch-off pre-warning is activated, the light is not switched off immediately after the run-on time has elapsed. The light is first dimmed to minimum brightness within 30 seconds. The run-on time is thereby prolonged by approx. 30 seconds. If motion is detected during the switch-off pre-warning, then the run-on time is restarted and the light switches back to the switch-on brightness.
Switch-on brightness	5 ... 100 % Default setting: 100%	The light is switched on to a stored brightness.

9 Troubleshooting

Device does not switch on

Cause 1: The ambient brightness is greater than the adjusted brightness threshold.

Set the brightness value with the app.

Cause 2: Device does not detect any motions.

Increase sensitivity with the app.

Switch on all sensors with the app.

Cause 3: Timer OFF or Continuous OFF is activated.

Activate the automatic mode with the app.

Device switches on without motions

Cause 1: Presence simulation is activated. Device switches at saved times.

Switch off the presence simulation with the app.

Cause 2: Interference sources in the detection area.

Remove interference sources if possible.

Reduce sensitivity with the app.

Limit the detection field with the app.

Device switches off despite motion

Cause 1: The device does not detect any motion.

Increase sensitivity with the app.

Cause 2: Detection area is limited because a sensor was switched off.

Switch on all sensors with the app.

Cause 3: Detection area is limited by push-on cover.

Check the push-on cover.

Device does not switch off

Cause 1: Interference sources in the detection field, device detects motions constantly.

Remove interference sources if possible.

Reduce sensitivity with the app.

Limit the detection field.

Cause 2: Timer ON or Continuous ON is activated.

Activate the automatic mode with the app.

Device does not react to operation with mobile end device, the blue LED does not light.

Cause 1: The mobile end device is not coupled with the device.

Couple the devices.

Cause 2: The Bluetooth interface on the mobile end device is not switched on.

Switch on the Bluetooth interface.

10 Conformity

Gira Giersiepen GmbH & Co. KG hereby declares that the radio system type art. no. 5377 02 meets the directive 2014/53/EU. You can find the full article number on the device. The complete text of the EU Declaration of Conformity is available under the Internet address: www.gira.de/konformitaet

11 Warranty

The warranty is provided in accordance with statutory requirements via the specialist trade. Please submit or send faulty devices postage paid together with an error description to your responsible salesperson (specialist trade/installation company/electrical specialist trade). They will forward the devices to the Gira Service Center.

Gira
Giersiepen GmbH & Co. KG
Elektro-Installations-
Systeme

Industriegebiet Mermbach
Dahlienstraße
42477 Radevormwald

Postfach 12 20
42461 Radevormwald

Deutschland

Tel +49(0)21 95 - 602-0
Fax +49(0)21 95 - 602-191

www.gira.de
info@gira.de