

Powernet Flush-Mounted Mains Coupler

Art. Nr.: 0341 00

System Information

This device is a product of the dem Gira-Powernet® EIB system and complies with EIBA directives. Detailed technical knowledge obtained in *instabus* or dem Gira-Powernet® EIB training courses is a prerequisite to proper understanding.

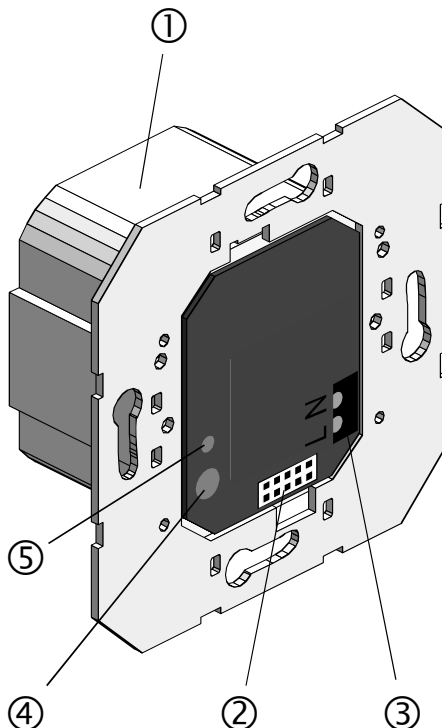
The functionality of this device depends upon the software. Detailed information on loadable software and attainable functionality may be taken from the manufacturer's ETS2 product database as well as from the dem Gira-Powernet® EIB controller database.

Planning, installation and commissioning of the unit is done by means of the ETS2 software, Ver. 1.1 or later, as well as by the dem Gira-Powernet® EIB controller.

Function

This Gira-Powernet® EIB flush-mounted mains coupler establishes the connection between the Gira-Powernet® EIB system and an application module.

Installation



This device is provided for installation into 60 mm standard flush boxes. Flush-mounted mains coupler ① must be fixed solely by the supporting ring in connection with the screws on the flush box. User interface (AST) ② must be below.

Switch off the mains voltage before establishing the electrical connection.

Connect power to terminals L and N ③.
Soiling of AST ② or of programming key ④, respectively, (e. g. by paint work) may lead to damage to the flush-mounted mains coupler.
After the physical address has been assigned, an application module must be plugged on. Contacting is effected via AST ②.

Assigning the Physical Address

Press programming key ④ on the flush-mounted mains coupler. Red LED ⑤ lights up. It goes out when the physical address is taken over.

Warning

Caution! The installation and assembly of electrical equipment may only be performed by a skilled electrician.

Specifications

Supply	
Mains voltage	: 230 V AC (sine wave)
Mains frequency	: 50 Hz
Current consumption	: < 10 mA
Transmitting level	: 116 dB μ V max., measured acc. to EN 50065-1
Ambient temperature	: -5 °C to +45 °C
Protective system	: IP 20

Acceptance of guarantee

We accept the guarantee in accordance with the corresponding legal provisions.

Please return the unit postage paid to our central service department giving a brief description of the fault:

Gira
Giersiepen GmbH & Co. KG
Service Center
Dahlienstrasse 12
D-42477 Radevormwald



The CE sign is a free trade sign addressed exclusively to the authorities and does not include any warranty of any properties.

Gira
Giersiepen GmbH & Co. KG
Postfach 1220
D-42461 Radevormwald

Telefon: +49 / 21 95 / 602 - 0
Telefax: +49 / 21 95 / 602 - 339
Internet: www.gira.de