

**Mini radio blind actuator**

Order-No. : 0425 00

**Operationsmanual**

**1 Safety instructions**

Electrical equipment may only be installed and fitted by electrically skilled persons.

Failure to observe the instructions may cause damage to the device and result in fire and other hazards.

**Danger of electric shock. Always disconnect device before working on it. At the same time, take into account all circuit breakers that supply dangerous voltage to the device.**

**Danger of electric shock. Device is not suitable for disconnection from supply voltage.**

The radio communication takes place via a non-exclusively available transmission path, and is therefore not suitable for safety-related applications, such as emergency stop and emergency call.

For parallel connection of several motors to an output it is essential to observe the corresponding instructions of the manufacturers, and to use a cut-off relay if necessary. The motors may be destroyed.

Use only Venetian blind drives with mechanical or electronic limit switches. Check the limit switches for correct adjustment. Observe the specifications of the motor manufacturers. Device can be damaged.

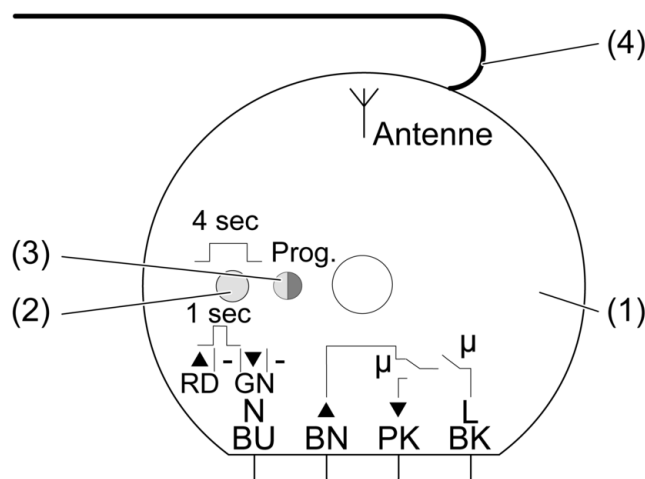
**Danger of electric shock. The antenna has basic insulation. Do not lead it through the appliance box.**

**Do not shorten, extend or strip the antenna. Device can be damaged.**

These instructions are an integral part of the product, and must remain with the end customer.

**Risk of injury. Use the device only for controlling Venetian blind and roller shutter motors or awnings. Do not use it to switch other loads.**

**2 Device components**



picture 1

- (1) Shutter actuator
- (2) Programming button
- (3) LED, two-colour

(4) Antenna

### 3 Function

#### System information

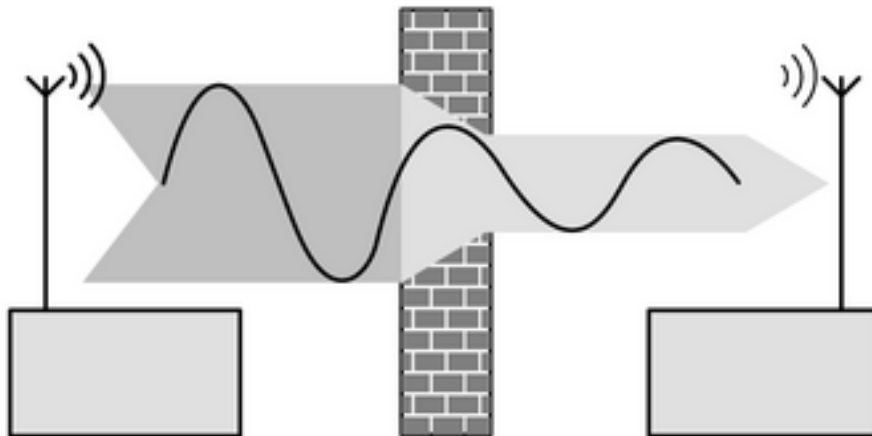
By statute, the reception characteristics and the antenna cannot be changed.

The device may be operated in all EU and EFTA countries.

The declaration of conformity can be viewed on our website.

The range of a radio system from the transmitter to the receiver depends on various circumstances.

The range of the system can be optimised by selecting the optimal installation location, taking into account the structural circumstances.



picture 2: Reduced range due to structural obstacles

#### Example of penetration of various materials:

Material	Penetration
Wood, Plaster, Plasterboard	approx. 90%
Brick, Chipboard	approx. 70%
Reinforced concrete	approx. 30%
Metal, Metal grid	approx. 10%
Rain, Snow	approx. 1-40%

#### Intended use

- Radio-controlled operation of a Venetian blind or roller shutter motor
- Operation with suitable radio transmitters
- Installation in appliance box to DIN 49073

#### Product characteristics

End positions of the Venetian blind can be called up via light scenes

### 4 Operation

#### Operation with radio transmitter

A radio transmitter has to be taught in order to be able to operate the Venetian blind actuator.

**i** Observe the instructions for the radio transmitter.

Depending on how a radio transmitter is operated, the slats are adjusted or the Venetian blind is moved.

## 5 Information for electrically skilled persons

### 5.1 Fitting and electrical connection



#### DANGER!

Electrical shock when live parts are touched.

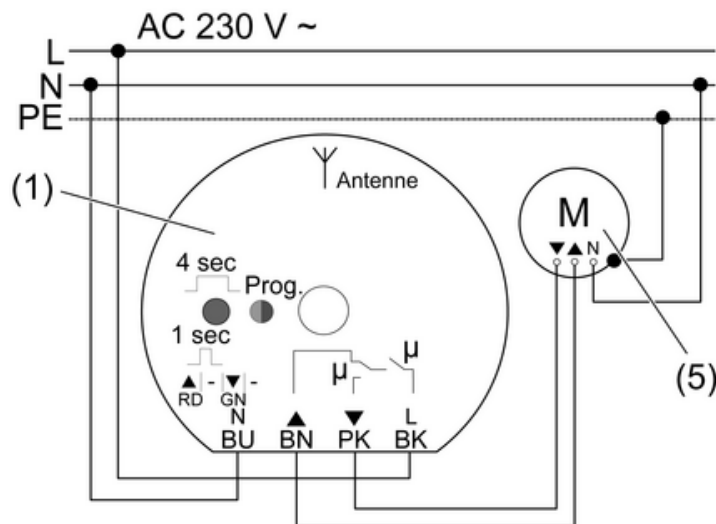
Electrical shocks can be fatal.

Before carrying out work on the device or load, disengage all the corresponding circuit breakers. Cover up live parts in the working environment.

#### Connecting and mounting the Shutter actuator

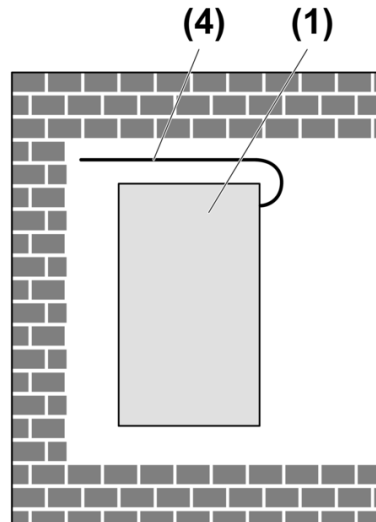
Maintain a distance of at least 0.5 m from metal surfaces and electrical devices, e.g. Venetian blind and roller shutter motors, hi-fi and TV systems.

Maintain a distance of at least 1 m between the shutter actuator and a transmitter in order to prevent overmodulation of the Shutter actuator.



picture 3

- Connect Venetian blind actuator (1) in accordance with connection diagram (picture 3) with connection terminals (see Using connection terminals), and connect with the Venetian blind or roller shutter motor (5).



picture 4

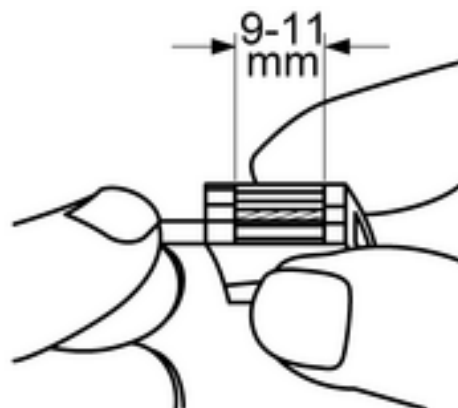
- Insert the Shutter actuator in the appliance box in such a way that the programming button and the LED are visible.
- Lay the antenna stretched out freely if possible.
- Switch on mains voltage.

Test operation on the device.

The Venetian blind can be moved by pressing the programming button briefly (for about 1 second).

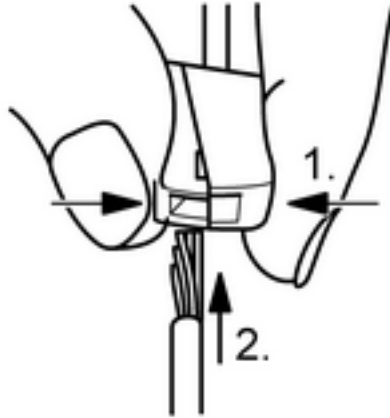
	Reaction	LED
1st button-press	Venetian blind moves up, 2 min	red
2nd button-press	Stop	OFF
3rd button-press	Venetian blind moves down, 2 min	green
4th button-press	Stop	OFF

### Using the lamp terminals



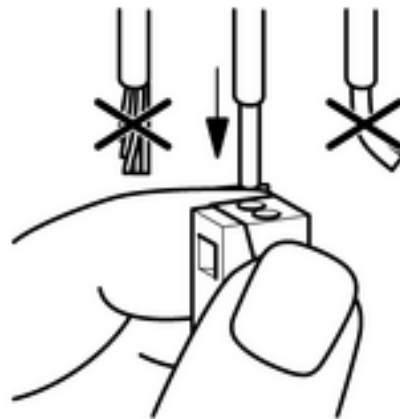
picture 5: Stripping length

- Strip 9 - 11 mm of the cable (picture 5).



picture 6: Connection of the fine-wire cable

- Push the terminal together on the side with the square opening and connect a fine-wire cable (picture 6).



picture 7: Connection of the single-stranded cable

- Push the single-stranded cable into the round opening on the installation side up to the stop (picture 7).

## 5.2 Commissioning

- i** Observe the instructions for the radio transmitter.



### **DANGER!**

**Electrical shock when live parts are touched.**

**Electrical shocks can be fatal.**

**Before working on the device, cover up live parts in the working environment.**

### Teaching a radio transmitter

- i** If all memory slots are occupied, a radio transmitter which has already been taught must first be deleted. To do this, delete all taught channels and light scenes of the radio transmitter individually.

The distance between the receiver and the radio transmitter is from 0.5 m to 5 m.

The load is switched off.

- i** When a radio transmitter is being taught, the Venetian blind is likewise moved each time the programming button of the Venetian blind actuator is pressed.
  - Press the programming button of the Venetian blind actuator for approx. 4 seconds.

The LED blinks. The device is in programming mode for approx. 1 minute.

- Press radio transmitter  
LED lights up red. The radio transmitter has been taught.

**i** Teach light scene buttons separately.

### Exit programming mode

The Venetian blind actuator is in programming mode.

- Press the programming button briefly.  
Venetian blind actuator switches to the operating mode.

**i** The programming mode is exited automatically after about 1 minute.

### Saving the end position of the Venetian blind in a light scene

The upper or lower end position of a Venetian blind can be called up via light scene buttons of a radio transmitter.

Light scene button of the radio transmitter has been taught in the actuator.

- Move Venetian blind to the desired end position. The Venetian blind actuator must switch off by itself.
- Press desired light scene button of the radio transmitter for at least 3 seconds.  
The end position of the Venetian blind has been saved as a light scene.

### Deleting radio transmitters individually

- Teach the radio transmitter to be deleted again (see Teaching a radio transmitter).  
LED blinks quickly. The radio transmitter has been deleted.

**i** If several channels or light scenes of a radio transmitter have been taught, they all must be deleted individually.

## 6 Appendix

### 6.1 Technical data

Rated voltage	AC 230 V ~
Mains frequency	50 / 60 Hz
Ambient temperature	-20 ... +55 °C
Relative humidity	approx. 0 % ... 65 % (No moisture condensation)
Change-over time for direction change	approx. 1 s
Switch-on time, Venetian blind operation	approx. 2 min
Connected load	
Motors	700 W
Circuit breaker	max. 10 A
Switching current for AC 230/240V~ Ohmic	6 A
Contact type	µ contact
Connection	
Single stranded	1.0 ... 2.5 mm <sup>2</sup>
Dimensions Ø×H	52.5×27.5 mm
Ø Centre hole	7.5 mm
carrier frequency	433.42 MHz (ASK)
Teachable radio transmitter	max. 14

### 6.2 Troubleshooting

#### Device does not respond, or only sometimes.

Cause 1: battery in the radio transmitter is empty.

Change the battery in the radio transmitter.

Cause 2: Radio range exceeded. Structural obstacles reduce the range.

Check the installation situation.

Check routing of antenna. Laying the antenna stretched out increases the range.  
Using a radio repeater.

### 6.3 Warranty

We provide a warranty as provided for by law.

Please send the unit postage free with a description of the defect to our central customer service via your specialised dealer:

**Gira**  
**Giersiepen GmbH & Co. KG**  
Service Center  
Dahlienstraße 12  
42477 Radevormwald  
Germany

**Gira**  
**Giersiepen GmbH & Co. KG**  
Elektro-Installations-  
Systeme

Industriegebiet Mermbach  
Dahlienstraße  
42477 Radevormwald

Postfach 12 20  
42461 Radevormwald

Deutschland

Tel +49(0)21 95 - 602-0  
Fax +49(0)21 95 - 602-399

[www.gira.de](http://www.gira.de)  
[info@gira.de](mailto:info@gira.de)