

Powernet Twofold 16 A Switching Actuator Series-Mounting Device

Art. Nr.: 0431 00

System Information

This device is a product of the Gira-Powernet® EIB system and complies with EIBA directives. Detailed technical knowledge obtained in *instabus* or Gira-Powernet® EIB training courses is a prerequisite to proper understanding.

The functionality of this device depends upon the software. Detailed information on loadable software and attainable functionality may be taken from the manufacturer's ETS2 product database as well as from the Gira-Powernet® EIB controller database.

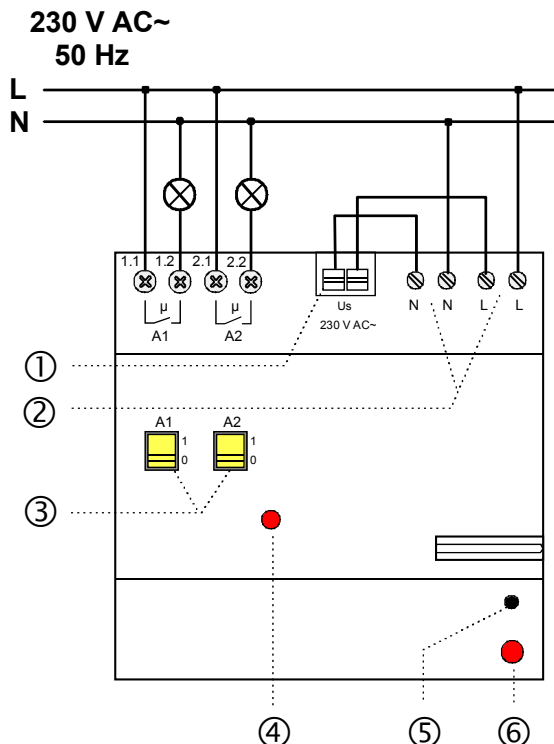
Planning, installation and commissioning of the unit is done by means of the ETS2 software, Ver. 1.1 or later, as well as by the Gira-Powernet® EIB controller.

Function

With the aid of this twofold 16 A switching actuator, two electrical consumers can be switched independently of each other via the Gira-Powernet® EIB system by means of potential-free contacts (A1 + A2).

The switching statuses of the relays are shown by switching position indicators ③. At the same time, they serve for manually actuating the relays independently of the Gira-Powernet® EIB system.

Connection



Establish electrical connection as shown in the opposite illustration.

Where:

- ① 230 V AC supply connection.
- ② Gira-Powernet® EIB connection.
- ③ Manual operation and switching position indicators.
- ④ Malfunction indicator LED.
- ⑤ Programming key.
- ⑥ Programming LED

Warning

Caution! The installation and assembly of electrical equipment may only be performed by a skilled electrician. Do not connect any loads/types of load other than specified.

Specifications

Supply

Mains voltage	: 230 V AC (sine wave)
Mains frequency	: 50 Hz
Power consumption	: 2 VA
Power loss	: ≤ 5.5 W

Connection

Supply voltage	: 0.5 - 2.5 mm ² plug-in terminals
Load circuit	: 0.5 - 2.5 mm ² screw terminals
Powernet	: 1 - 2.5 mm ² screw terminals

Outputs

Switching voltage	: 230 V AC, +10%, -15%, 50 - 60 Hz
Switching capacity	: 16 A, $\cos \varphi = 1$ 10 A, $\cos \varphi = 0.65$
Switching repetition	: 125 ms for 1 contact 250 ms for 2 contacts at the same time

Ambient temperature : -5 °C to +45 °C

Protective system : IP 20 acc. to DIN 40 050 (EN 60529)

Dimensions : 4.5 PUs (pitch units) (81 mm)

Acceptance of guarantee

We accept the guarantee in accordance with the corresponding legal provisions.

Please return the unit postage paid to our central service department giving a brief description of the fault:

Gira
Giersiepen GmbH & Co. KG
Service Center
Dahlienstrasse 12
D-42477 Radevormwald



The CE sign is a free trade sign addressed exclusively to the authorities and does not include any warranty of any properties.

Gira
Giersiepen GmbH & Co. KG
Postfach 1220
D-42461 Radevormwald

Telefon: +49 / 21 95 / 602 - 0
Telefax: +49 / 21 95 / 602 - 339
Internet: www.gira.de