

Control unit 1 - 10 V series built-in unit

Order No: 0553 00

General system information

This device is a product of the Instabus EIB-system and complies with EIBA directives. Detailed technical knowledge obtained in Instabus training courses is a prerequisite for proper understanding. Functionality of this device is depending on the software. Detailed information on loadable software and attainable functionality may be taken from the manufacturer's product database. Planning, installation and commissioning of the unit is done by means of EIBA certified software.

Function

The 1 - 10 V control unit permits dimming of luminescent lamps equipped with dimmable electronic ballast units (EBU) and a 1 - 10 V interface. The number of dimmable EBU's depends on the EBU-specific signal current of the types used.

Switching and dimming commands are issued by operation of touch sensors, dimming sensors, infrared sensors or via the binary inputs of the Instabus EIB-system.

Adjustment

The unit's functionality is software-dependent.

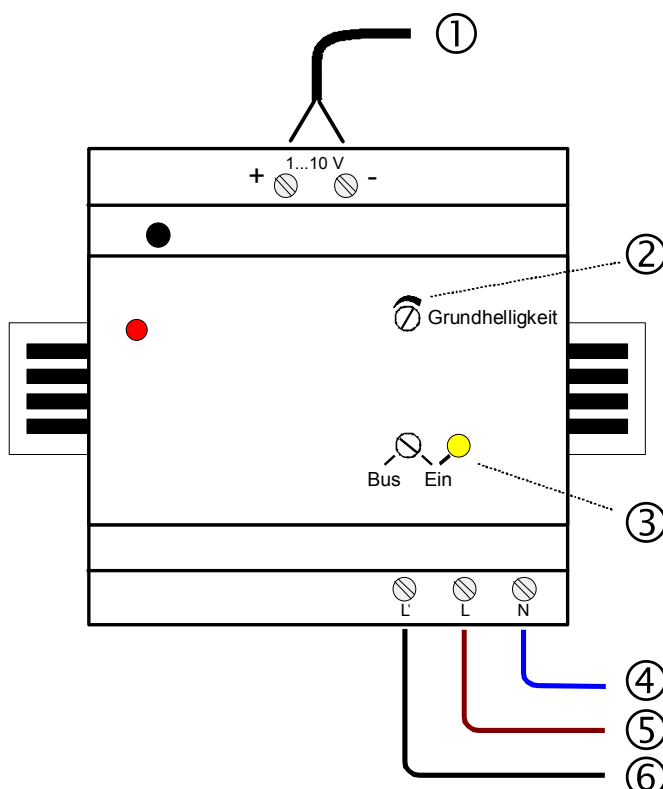
The basic luminosity can be adapted to each type of EBU.

The relay can be switched manually when the mains voltage is present. The relay switching status is signalled by an LED.

The dimming time is adjustable.

The switching status of the device can be transmitted via the Instabus EIB.

Interrogation of the brightness level via the Instabus EIB allows its integration in lighting scenes.



Connect the unit as shown opposite.

Legend:

- ① Connection of control voltage 1 - 10 V (from EBU)
- ② Adjustment of basic luminosity
- ③ Manual operation and display of switching status
- ④ Neutral
- ⑤ Phase
- ⑥ To dependent EBU's

Warning

Caution: The installation and assembly of electrical equipment may only be performed by a skilled electrician.

Connect specified loads / types only.

Specifications

Supply	
Instabus EIB	: 24 V DC (+6 / -4 V)
AC mains	: 230 V AC
Power drain	
Instabus EIB	: max. 150 mW
AC mains	: max. 2 W
Connection	
Instabus EIB	: Pressure contact on data bar
AC mains, 1 - 10 V interface	: Screw terminals up to 2.5 mm ²
Switching power	
ohmic loads	: 2300 W
EBU	: depends on type
1 - 10 V interface	
Input line length	: max. 500 m for 0.5 mm ²
Signal current	: max. 50 mA
Signal duration	: 100 % continuous
Ambient temperature	: -5 °C to +45 °C
max. housing temperature	: T C = 75 °C
Storage temperature	: -25 °C to +70 °C
Type of protection	: IP 20
Mounting width	: 70 mm (4 PU)

Acceptance of guarantee

We accept the guarantee in accordance with the corresponding legal provisions.

Please return the unit postage paid to our central service department giving a brief description of the fault:

Gira
Giersiepen GmbH & Co. KG
Service Center
Dahlienstrasse 12
D-42477 Radevormwald



The CE sign is a free trade sign addressed exclusively to the authorities and does not include any warranty of any properties.

Gira
Giersiepen GmbH & Co. KG
Postfach 1220
D-42461 Radevormwald

Telefon: +49 / 21 95 / 602 - 0
Telefax: +49 / 21 95 / 602 - 339
Internet: www.gira.de