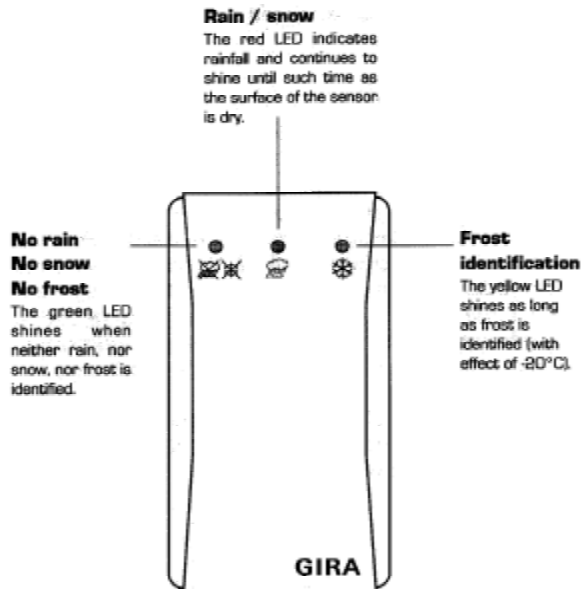


Rain indicator with frost protection to -20°C

Order No.: 0586 00



Functional description

Identification of precipitation (rain, snow, etc.) is performed via capacitive comparison measurements.

The advantage of this system is that the surface of the sensor is totally isolated, meaning that any soiling only has a slight effect on the results measured. This is also the reason why the appliance is more or less maintenance-free. In the event of extremely intensive soiling, the rain sensor can be cleaned with conventional household detergents.

Only one LED operates at any one time to indicate the status at any given time.

Safety tips

- Please note that the Gira rain indicator requires a power supply of 230 volt, 50 Hz for correct operation. Please appoint a qualified electrician to perform installation.
- The power supply should be disconnected prior to any work being performed on a sun-blind controlled via a Gira rain indicator.

Area of application

The Gira rain indicator can be used to identify rain and frost in order to protect sun-blinds and conservatories, to control roof ventilation, etc.

Method of operation

The green LED shines (relay contact open) until such time as rain, snow or frost is identified.

The red LED shines (relay contact closed) as soon as rain or snow is identified.

When it rains, the surface of the sensor is heated providing the outside temperature is not above 30°C . In the event of the temperature falling below $+1^{\circ}\text{C}$, the surface of the sensor is heated constantly so that the snow thaws. The red LED is extinguished when the rain or snow stops falling and the surface of the sensor is dry.

The yellow LED shines (relay contact closed) as soon as the outside temperature falls below -20°C . The surface of the sensor is then no longer heated.

very sensitive



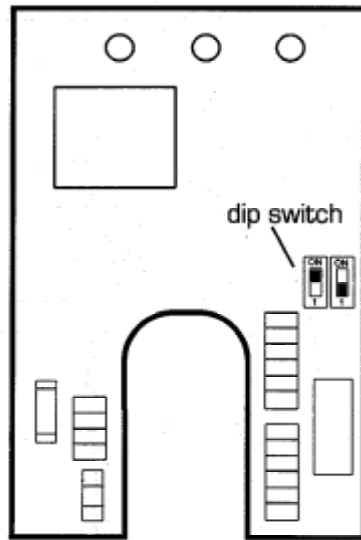
sensitive



normal



insensitive

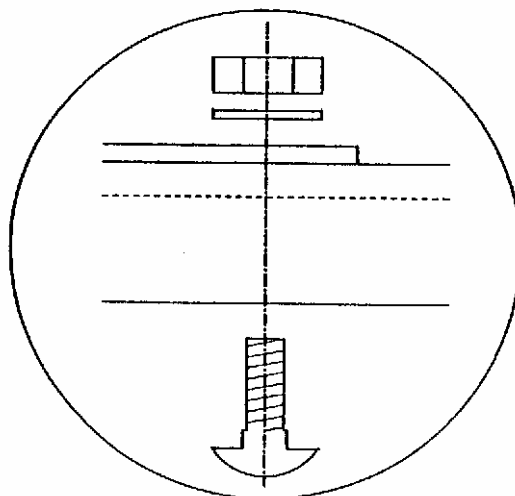
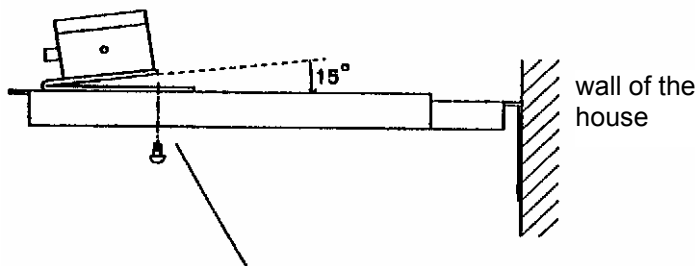


Adjustment of sensitivity

The sensitivity of the rain sensor can be adjusted with the aid of a double-pole dip switch located in the rain indicator's power unit.

Installation

The sensor should be installed such that the surface of the sensor is facing in the direction most exposed to the weather. It should be inclined at an angle of 15 degrees such that the rain signal can be extinguished more rapidly.

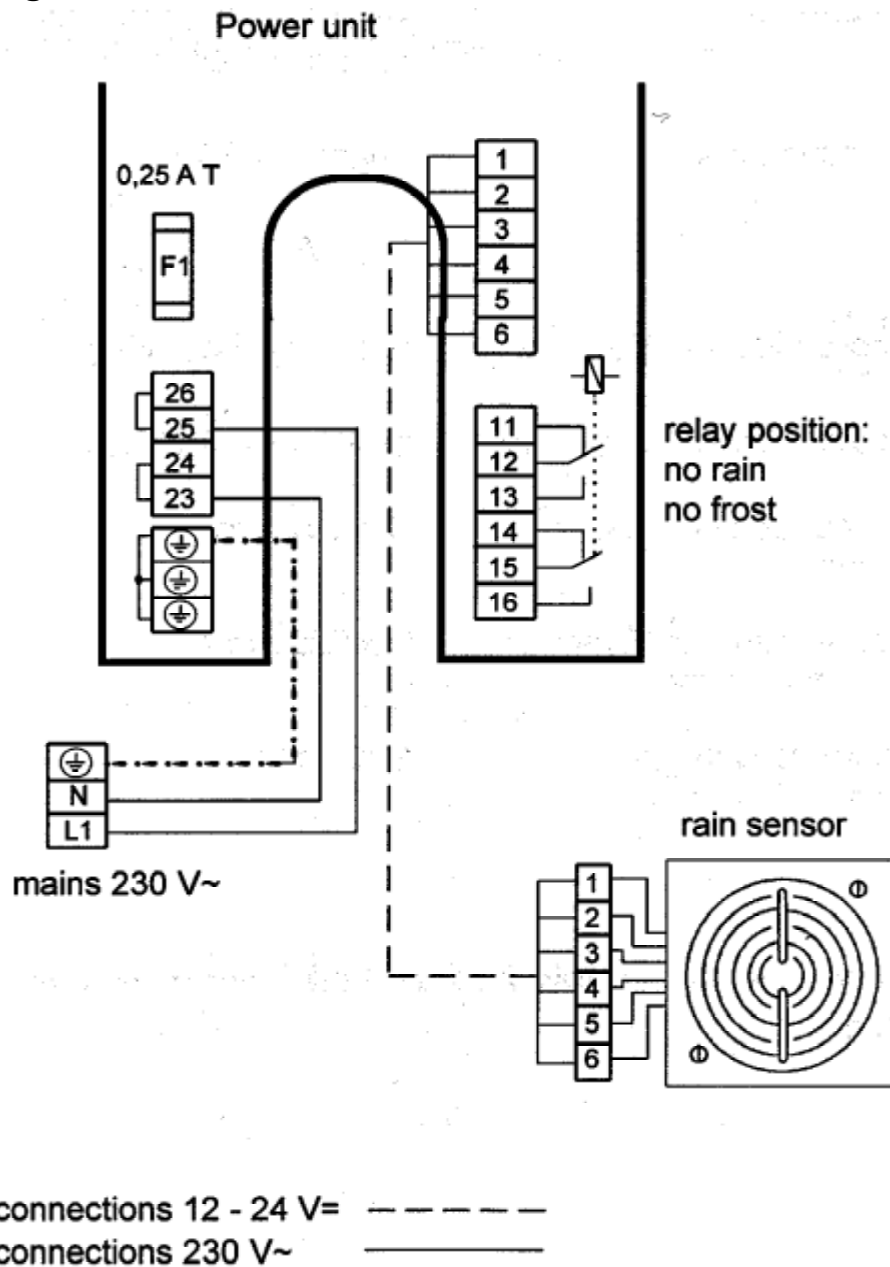


Technical data

Operating voltage:	230V- / 50 Hz
Relay contacts:	5A at 250V / 50 Hz, potential-free
Own consumption:	approx. 4.5 VA
Fuse:	0,25 A T
Protective system - sensor:	IP 65 (DIN 40050)
Protective system - power unit:	IP 40 (DIN 40050)
Recommended cord type (power mains):	3 x 1,5 mm ²
Recommended cord type (power unit > rain sensor):	6 x 0,5 mm ²
Maximum cord length (power unit > rain sensor):	150 m

The power unit may only be installed indoors in a dry location.

Wiring diagram



Acceptance of guarantee

We accept the guarantee in accordance with the corresponding legal provisions.

Please return the unit postage paid to our central service department giving a brief description of the fault:

Gira
Giersiepen GmbH & Co. KG
Service Center
Dahlienstrasse 12
D-42477 Radevormwald



The CE sign is a free trade sign addressed exclusively to the authorities and does not include any warranty of any properties.

Gira
Giersiepen GmbH & Co. KG
Postfach 1220
D-42461 Radevormwald

Telefon: +49 / 21 95 / 602 - 0
Telefax: +49 / 21 95 / 602 - 339
Internet: www.gira.de