

Instabus Switch actuator 4fold

Order No. 0896 00

Plug Set

Order No. 0980 00

Instabus Multiple Switch Actuator

Order No. 0606 00

Plug Set

Order No. 0587 00

Function

This device is a product of the *instabus* EIB-system and complies with EIBA directives. Detailed technical knowledge obtained in *instabus* training courses is a prerequisite for proper understanding. Functionality of the device is depending on the software. Detailed information on loadable software and attainable functionality may be taken from the manufacturer's product database.

Switch Actuator

The switch actuator can switch four groups independently from one another. Switch commands are issued by operation of touch sensors, infrared sensors or via the binary inputs of the *instabus*-EIB-system. The connection of different external leads to the channels is admissible.

Multiple Switch Actuator

The multiple switch actuator can switch two groups of loads independently from one another. A further output allows for the connection of a shutter motor. Switch commands are issued by operation of touch sensors, infrared sensors or via the binary inputs of the *instabus*-EIB-system. The connection of two motors to the shutter output is not possible. The shutter output can be locked by means of the *instabus*-EIB-system (e.g. in case of storm).

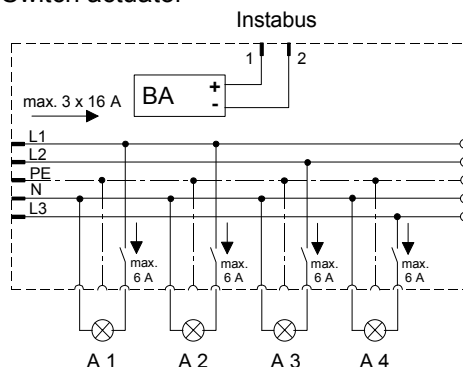
Installation

Caution! The installation and assembly of electrical equipment may be carried out only by a skilled person.

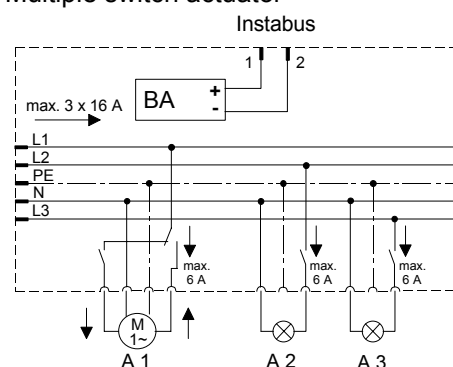
Dangers that may arise from motor-driven components shall be excluded by appropriate safety measures.

Planning, installation and commissioning of the unit is done by means of EIBA certified software. The devices are connected by means of a plug set (For Art. No. refer to Technical Data).

Switch actuator



Multiple switch actuator



Technical Data

Supply	
<i>instabus</i> EIB:	24 V DC (+6 / -4 V)
AC mains:	230/400 V AC
Power drain <i>instabus</i> EIB:	max. 150 mW
Connection plug set	
Switch Actuator 4fold:	Order No.: 0980 00
Multiple Switch Actuator:	Order No.: 0587 00
Switching power	
ohmic loads:	1380 W
incandescent lamps:	1000 W
HV halogen:	1000 W
HV halogen, with conv. transformer:	200 W
Fluorescent lamps	
non-compensated:	500 W
dual circuit:	1000 W
parallel compensated:	300 W
Mercury vapour lamps:	250 W
Halogen metal vapour lamps:	200 W
Ambient temperature:	-5 °C to +45 °C
Storage temperature:	-25° C to +55 °C
Type of protection:	IP 20
Dimensions (in mm):	168 x 168 x 64 (W x H x L)

Acceptance of guarantee

We accept the guarantee in accordance with the corresponding legal provisions.

Please return the unit postage paid to our central service department giving a brief description of the fault:

Gira
Giersiepen GmbH & Co. KG
Service Center
Dahlienstrasse 12
D-42477 Radevormwald



The CE sign is a free trade sign addressed exclusively to the authorities and does not include any warranty of any properties.

Gira
Giersiepen GmbH & Co. KG
Postfach 1220
D-42461 Radevormwald

Telefon: +49 / 21 95 / 602 - 0
Telefax: +49 / 21 95 / 602 - 339
Internet: www.gira.de