

Instabus Shutteractuator 2fold

Order-No.: 0607 00

Function

This device is a product of the *instabus* EIB-system and complies with EIBA directives. Detailed technical knowledge obtained in *instabus* training courses is a prerequisite for proper understanding. Functionality of this device is depending on the software. Detailed information on loadable software and attainable functionality may be taken from the manufacturer's product database.

Through two channels, the shutteractuator allows to lift and/or lower two venetian blind drives for each channel. These channel are independent from each other. In function of the operating time the slats are opened or shut.

Commands are issued by operation of touch sensors, venetian blinds sensors, infrared sensors or via the binary inputs of the *instabus* EIB-system.

Momentary switching action causes movement of the slats whereas persistent switching action causes the venetian blinds to be moved up or down.

The shutteractuator can be locked via the *instabus*-EIB-system (e. g. in case of storm). No operation will be possible until unlocking. The command for unlocking must be repeated regularly. The connection of different external leads to the channels is admissible. The channel outputs may only be wired with an external lead.

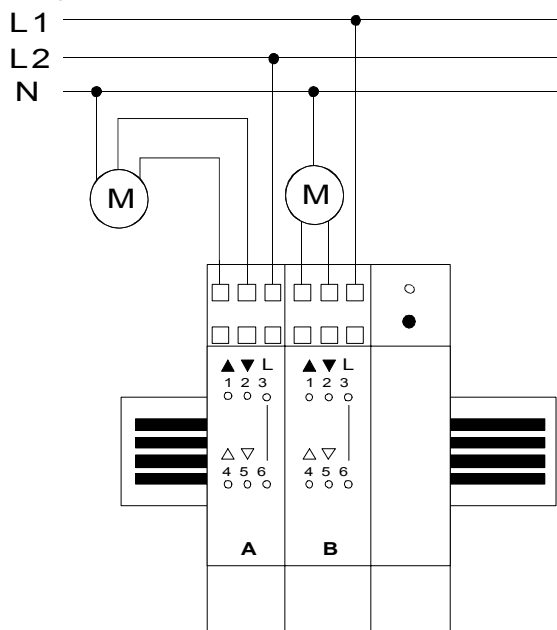
Indications of danger

Caution! The installation and assembly of electrical equipment may be carried out only by a skilled person.

Dangers that may arise from motor-driven components shall be excluded by appropriate safety measures.

Planning, installation and commissioning of the unit is done by means of EIBA certified software.

Adjustment



Functionality of the device is depending on the software.

The time for short time operation (slat adjustment) can be adjusted.

The waiting time for direct changes of direction is software-dependent.

The fact that drives may require a minimum switch-over time for changes of direction must be taken into account in the project.

Technical Data

Supply <i>instabus</i> EIB	: 24 V DC (+6 / -4 V)
Power drain <i>instabus</i> EIB	: max. 150 mW
Connection <i>instabus</i> EIB AC mains	: Pressure contact on data bar : Plug terminals 1 - 2,5 mm ² , unifilar 1 - 2,5 mm ² finewire with pin cable socket 1 - 1,5 mm ² finewire with core end bush
Switching power AC - venetian blinds motor	: max. 500 VA
Ambient temperature	: -5 °C to +45 °C
Storage temperature	: -25 °C to +70 °C
Type of protection	: IP 20
Build-in width	: 52,5 mm(3 PU)

Acceptance of guarantee

We accept the guarantee in accordance with the corresponding legal provisions.

Please return the unit postage paid to our central service department giving a brief description of the fault:

Gira
Giersiepen GmbH & Co. KG
Service Center
Dahlienstrasse 12
D-42477 Radevormwald



The CE sign is a free trade sign addressed exclusively to the authorities and does not include any warranty of any properties.

Gira
Giersiepen GmbH & Co. KG
Postfach 1220
D-42461 Radevormwald

Telefon: +49 / 21 95 / 602 - 0
Telefax: +49 / 21 95 / 602 - 339
Internet: www.gira.de