

Binary output 16-fold 2.0

Order No.: 0628 00

System information

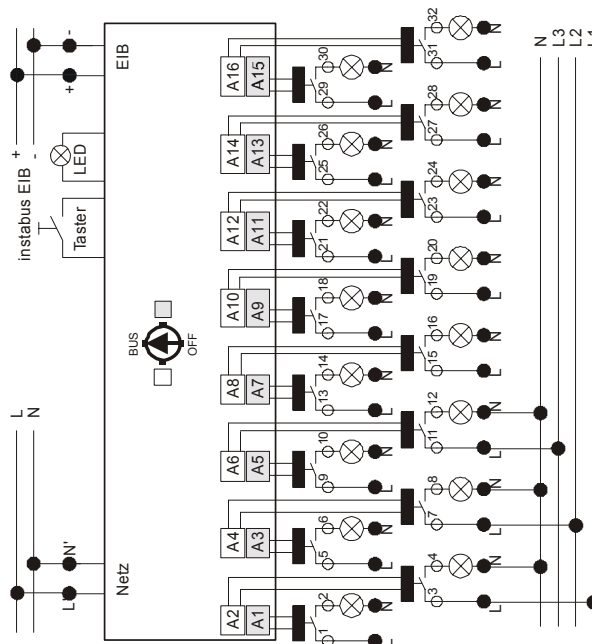
This device is a product of the Instabus EIB system and complies with the EIBA guidelines. Detailed specialist knowledge acquired in *Instabus* training courses is required for understanding.

The device function depends on the software. Refer to the manufacturer's product data base and technical specifications for detailed information about which software may be loaded, which scope of function results, and for the software itself. Planning, installation and commissioning are carried out using of an EIBA certified software.

Function

16 consumers can be independently switched with the switch actuator via floating make contacts. Connection of various external conductors to the outputs is permitted. The bus is connected via a bus connection terminal, a data bus is not necessary. The device requires a supply voltage of 230 VAC (terminals L' and N').

The outputs are switched on and off according to the received bus signals.



Test function

The following test functions are made available by the rotary switch

BUS: Switching of the outputs according to the received bus telegrams

OFF: All outputs are switched off

Light field: The even-numbered outputs are switched on

Dark field: The odd-numbered outputs are switched on

Before putting to operation with consumers, it has to be made sure that the relay outputs are not switched on (e.g. caused by transport, etc.). For this purpose the rotary switch has to be turned clockwise by 360°.

Attention: Before doing so the supply voltage of 230 V and bus supply voltage must be connected.

Danger warnings

Caution! Electric devices may only be installed and assembled by a qualified electrician. In the case of auxiliary voltage failure incoming telegrams can cause undefined states on the outputs. Therefore auxiliary voltage and bus voltage need to have a common fuse. If this is not possible it has to be ensured by additional means that neither the device nor any persons can be damaged or injured when the device is switched on by mistake.

Technical data

Supply:	
Instabus EIB:	24 V DC (+ 6 / - 4 V)
Auxiliary voltage:	
device supply:	~ 230 V
Connection:	
Instabus EIB:	connection terminal and branch terminal (included within the scope of delivery)
Mains:	screw terminals 2 x 2.5 mm ² single conductor or 2 x 1.5 mm ² finely stranded with wire end ferrule to DIN 46228 /smallest \varnothing 0,1 mm
Outputs:	
contact type:	16 floating make contacts
rated voltage:	~ 230 V, multiphase
rated current:	10 A, resistive load
rated power:	2300 VA max.
incandescent lamps:	1300 W max.
halogen lamps:	~ 230 V, 850 W max.
fluorescent lamps:	700 W max., low-power-factor
Electronic series reactors:	18 W max. 17 ea. 36 W max. 13 ea. 58 W max. 7 ea.
Energy-saving lamps:	9 W max. 32 ea. 13 W max. 23 ea. 15 W max. 20 ea.
Ambient temperature:	+ 5 °C to + 45 °C
Type of protection:	IP 20
Dimensions (w x h x d):	140 x 90 x 60 mm
Mounting width:	140 mm (8 TE)
Weight:	460 g

Acceptance of guarantee

We accept the guarantee in accordance with the corresponding legal provisions.

Please return the unit postage paid to our central service department giving a brief description of the fault:

Gira
Giersiepen GmbH & Co. KG
Service Center
Dahlienstrasse 12
D-42477 Radevormwald



The CE sign is a free trade sign addressed exclusively to the authorities and does not include any warranty of any properties.

Gira
Giersiepen GmbH & Co. KG
Postfach 1220
D-42461 Radevormwald

Telefon: +49 / 21 95 / 602 - 0
Telefax: +49 / 21 95 / 602 - 339
Internet: www.gira.de