

Instabus Brightness Sensor

Order No. 0892 00

This device is a product of the instabus EIB system and is according to EIBA regulations. On the understanding that detailed technical knowledge has been acquired by instabus training courses.

Application

The brightness sensor detects the value of brightness via the receiver ① (see figure B) and analyzes and transmits a telegram to the instabus.

Function

The function of this device is depending on the software. For detailed information on which software may be used leading to what extension of operability please see manufacturer's product data base.

Indications of danger

Caution! The installation and assembly of electrical equipment may be carried out only by a skilled person.

Instructions for installation

Planning, installation and starting of the device is being undertaken by means of a software certified by EIBA.

The decoder ② was built as an installation device and is being recessed into a false ceiling or another hollow body. It may be installed with 2 screws 4 mm \varnothing .

For opening the terminal connection box move the locking towards direction of arrow ③ (fig. A) and open cover ④. For closing terminal connection box shut cover until locking snaps in.

Connect the wires of the receiver line to the decoder as follows:

Terminal S : white wire

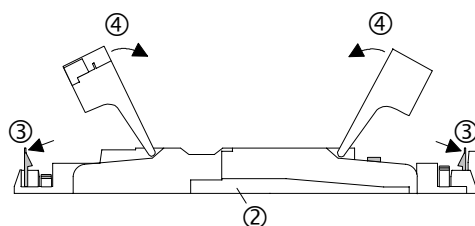
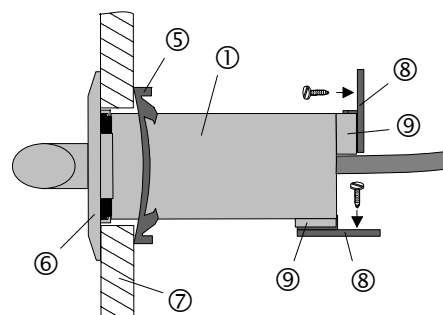
Terminal - : blue wire

Terminal + : red wire

The receiver is being recessed by means of a terminal spring ⑤ and an aperture ⑥ into the false ceiling ⑦ (fig. B). Plug the aperture to the front of the receiver and slide the terminal spring onto the receiver from the back. To attach the receiver plug the fastening element ⑧ into one of the tracks ⑨ provided.

To be regarded when receiver is installed:

- preferably via the area to be detected, if possible avoid installation to direct light irradiation.
- do not expose rear of receiver directly to irradiation of light as malfunction may occur caused by light entering at the cable inlet.

A**B**

Technical Data

Supply <i>instabus</i> EIB:	24 V DC (+6 / -4 V)
Power input capacity:	approx. 120 mW
Connection <i>instabus</i> :	Connecting terminal and branch joint
Receiver line:	Screw terminals
	Terminal S white wire
	Terminal - blue wire
	Terminal + red wire
Length of receiver line:	approx. 2 m, may not be lengthened!
Aperture \odot :	\odot 47 mm
Installation of receiver:	bore: \odot 37 mm
	or
thickness of false ceiling:	rectangular opening : \square 30 x 30 mm
Ambient temperature:	max. 45 mm
Storing temperature:	-5 °C to +45 °C
Type of protection:	-40 °C to +55 °C
	IP 20

Acceptance of guarantee

We accept the guarantee in accordance with the corresponding legal provisions.

Please return the unit postage paid to our central service department giving a brief description of the fault:

Gira
Giersiepen GmbH & Co. KG
Service Center
Dahlienstrasse 12
D-42477 Radevormwald



The CE sign is a free trade sign addressed exclusively to the authorities and does not include any warranty of any properties.

Gira
Giersiepen GmbH & Co. KG
Postfach 1220
D-42461 Radevormwald

Telefon: +49 / 21 95 / 602 - 0
Telefax: +49 / 21 95 / 602 - 339
Internet: www.gira.de