

**Four-channel Venetian blind actuator
230 V**

Order no.: 1048 00

**Four-channel Venetian blind actuator
24 V DC**

Order no.: 1049 00

Four-channel Shutter actuator 230 V

Order no.: 1050 00

System information

This device is a product of the Instabus EIB system and complies with EIBA directives. Detailed technical knowledge obtained in Instabus training courses is a prerequisite to proper understanding.

The functionality of this device depends on the software. Detailed information on loadable software and attainable functionality as well as the software itself can be obtained from the manufacturer's product database.

Planning, installation and commissioning of the unit is done by means of EIBA-certified software.

An updated version of the product database and the technical descriptions is available in the Internet at www.gira.de.

Function

The 4-channel venetian blind actuators can switch up to four independent blind or shutter drives via the Instabus EIB.

Travel commands are triggered by touch sensors or binary inputs of the Instabus EIB system.

By means of controls and indicators, the blind/shutter actuators can also be operated comfortably by hand without bus voltage, if they are correspondingly parameterized. This includes also a central stop function by hand for the motors. See the chapters on manual operation.

**Safety Warnings****Attention!**

Electrical equipment must be installed and fitted by qualified electricians only and in strict observance of the relevant accident prevention regulations.

To prevent electric shocks, disconnect the mains supply (by cutting out the circuit breaker) before working on the device.

Failure to observe any of the installation instructions may cause fire and other hazards.

For connection of motors only!

Hazards that may be caused by motor-driven components must be excluded by taking appropriate safety measures.

Features

- 4 independent channels for one blind/shutter motor each
- 2 x 2 channel operation possible
- Change-over time for change of travel direction adjustable; observe the instructions of the motor manufacturer!
- Safety travel during storms independently adjustable for each output
- Response on failure and return of bus voltage adjustable

More features are described in the relevant EIB product documentation.

Operating information

Important

- If motors are to be connected in parallel, it is indispensable to observe the instructions issued by the motor manufacturers. The motors may otherwise be irreparably damaged.
- Use only blinds or shutters equipped with limit switches (mechanical or electronic). The limit switches of the motors connected must be checked for correct adjustment.

- Activation of the manual operating mode terminates all time delays and interrupts the safety travel in the event of storms. The safety travel function will be completed after quitting the manual operating mode.
- During hand operation, only continuous travel (long press of the button) and stop (brief press of the button) are available.

Connection

Venetian blind actuator 230 V Shutter actuator 230 V

(Fig. A):

The bus line is connected at the bus connecting terminal (1).

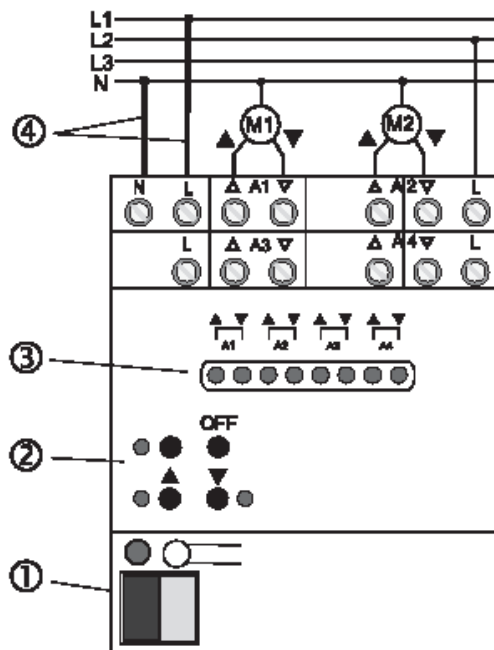
The supply voltage is connected to terminals N and L (4). Output A1 and motor M1 are then connected automatically to the power supply.

For outputs A2 thru A4, a phase conductor must be connected additionally to the respective L-terminals. The diagram shows the connection of motor 2 to output A2. Connection of motors to outputs A3 and A4 is performed in the same way.

Legend:

- (2) hand controls and status indicators
- (3) LED to indicate the switching state and the output selected in manual operation.

A



Venetian blind actuator 24 V DC

(Fig. B):
The bus line is connected at the bus connecting terminal (1).

The 24 V DC supply is connected to terminals + 1 / 2- (4). Outputs A1 and A2 and motors M1 and M2 are at the same supplied with power.

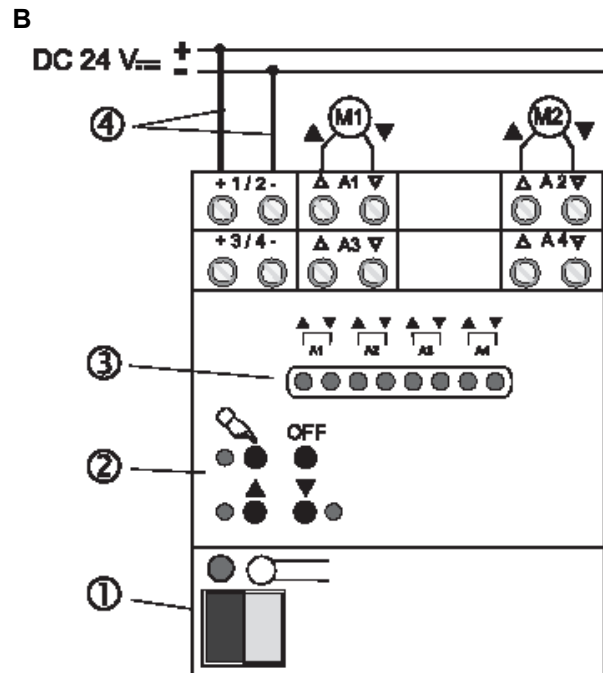
When outputs A3 and A4 are to be used, a 24 V DC supply must additionally be connected to terminals + 3 / 4 -.

Important:

Do not connect AC supplies to these terminals! The polarity of the supplies connected to terminals + 1 / 2- and + 3 / 4 - must be the same. There is otherwise a risk of irreparable damage to the motors. Connection of motors to outputs A3 and A4 is performed in the same way.

Legend:

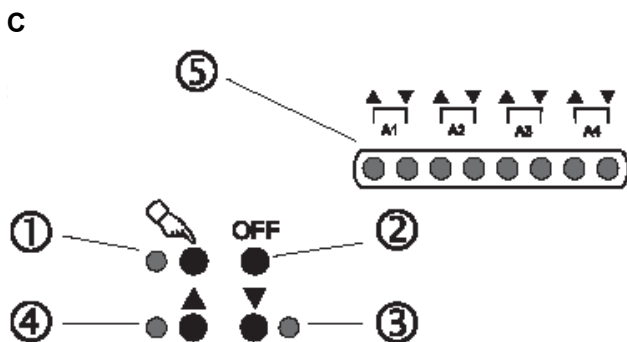
- (2) hand controls and status indicators
- (3) LED to indicate the switching state and the output selected in manual operation.



Manual operation

The actuators with manual operation can be operated in 3 modes:

1. bus mode (normal operation)
2. continuous manual operation (bus mode deactivated)
3. temporary manual operation (device switches back to bus mode after 5 seconds if no button is pressed)



Operation:

A long press (> 5s) on the ☞ button (1) activates or deactivates the continuous manual mode, whereas a short press (< 1s) does the same for temporary manual operation (Fig. C). On activation of a manual mode, all channels are switched off.

During continuous manual operation, LED (1) lights up. In the manual mode, the switching channel can be selected with the ☞ button (1).

The pertaining two LEDs (5) start flashing. The remaining LEDs (5) indicate the switching state of the non-selected outputs. Buttons ▼ (3) and ▲ (4) are the executing control buttons.

A long press (> 1s) on the ▲ button (4) causes the blind of the selected channel to travel upwards. The ▼ button (3) controls the down movement. A short press on the ▼ (3) or ▲ button (4) stops the blind.

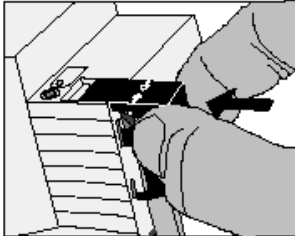
After having switched once through all channels in manual operation, the device returns to the bus mode. In the continuous manual mode, the OFF button (2) switches off all relays.

Cap

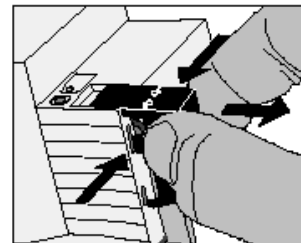
Slide the cap with the bus wires at the bottom over the bus terminal (fig. D) until it is heard to engage.

To remove the cap, push sideways and withdraw (fig. E).

D



E



Technical characteristics

Instabus EIB

Supply voltage: 21 - 32 V DC
Power consumption: typically 150 mW

AC 230 V supply
typically:

AC 110V~ (-10%)...240V~
(+10%), 50/60 Hz

DC 24 V supply typically: DC 24V... $\pm 10\%$

Instabus EIB connection: Instabus connecting
terminal

Mains connection: screw terminals
0.5 – 4 mm² single and
stranded wire without
ferrule or
0.5 – 2.5 mm² stranded with
ferrule

Ambient temperature: -5 °C ... +45 °C

Storage temperature: -25 °C ... +70 °C

Installation width: 72 mm (4 pitch)

Switching capacity of outputs

AC 230 V typically: 6 A
DC 24 V typically: 6 A

Acceptance of guarantee

We accept the guarantee in accordance with the corresponding legal provisions.

Please return the unit postage paid to our central service department giving a brief description of the fault:

Gira
Giersiepen GmbH & Co. KG
Service Center
Dahlienstrasse 12
D-42477 Radevormwald



The CE sign is a free trade sign addressed exclusively to the authorities and does not include any warranty of any properties.

Gira
Giersiepen GmbH & Co. KG
Postfach 1220
D-42461 Radevormwald

Telefon: +49 / 21 95 / 602 - 0
Telefax: +49 / 21 95 / 602 - 339
Internet: www.gira.de

Acceptance of guarantee

We accept the guarantee in accordance with the corresponding legal provisions.

Please return the unit postage paid to our central service department giving a brief description of the fault:

Gira
Giersiepen GmbH & Co. KG
Service Center
Dahlienstrasse 12
D-42477 Radevormwald



The CE sign is a free trade sign addressed exclusively to the authorities and does not include any warranty of any properties.

Gira
Giersiepen GmbH & Co. KG
Postfach 1220
D-42461 Radevormwald

Telefon: +49 / 21 95 / 602 - 0
Telefax: +49 / 21 95 / 602 - 339
Internet: www.gira.de