



Product designation: **data interface DRA**

Design: DIN-rail device (REG)

Article no.: **1153 00**

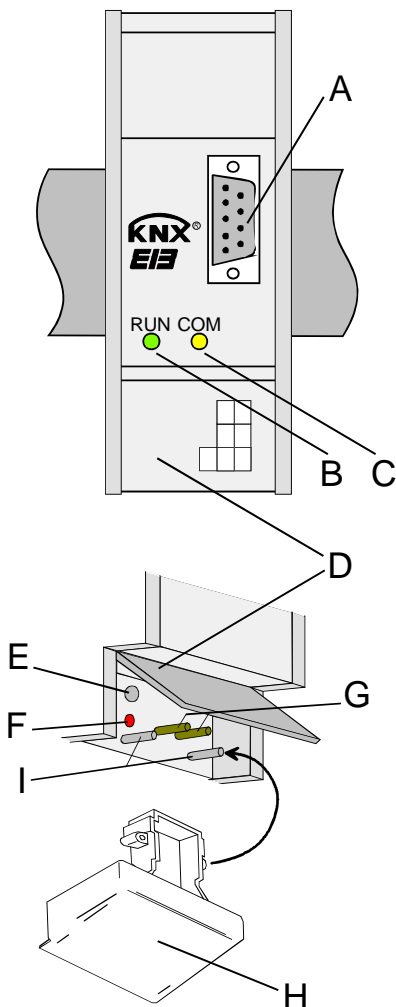
ETS search path: Gira Giersiepen / communication / serial / data interface DRA

Functional description:

The data interface permits connection to a PC via the serial RS-232 interface for addressing, programming and diagnosis of KNX / EIB components.

The PC is connected to the data interface by means of a 9-pole Sub-D connector.

Layout:



Dimensions:

Width: 36 mm (2 modules)

Height: 90 mm

Depth: 65 mm

Control and display elements:

A: SUB-D connector (RS-232 female)

B: green LED "RUN": ready for operation

C: yellow LED "COM": data communication with connected PC in progress

D: housing flap (flip open for access to bus connection and to programming elements - points E thru I)

Below the housing flap:

E: programming key

F: red programming LED

G: bus connection pins

H: cap

I: guide pins for cap

instabus EIB System

Communication



Technical data:

KNX / EIB supply
Voltage: 21 – 32 V DC SELV
Current consumption: approx. 4.5 mA
Connection: KNX / EIB connecting terminal

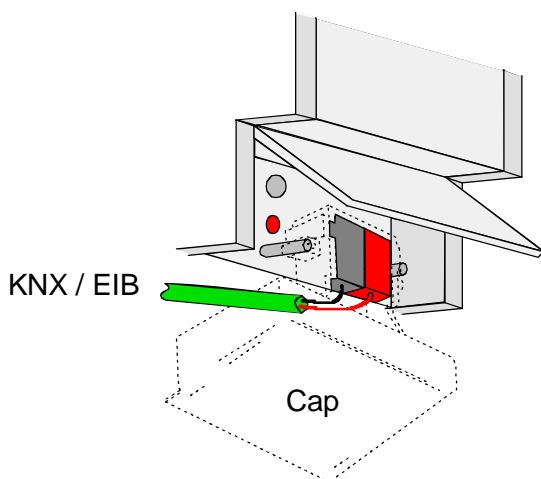
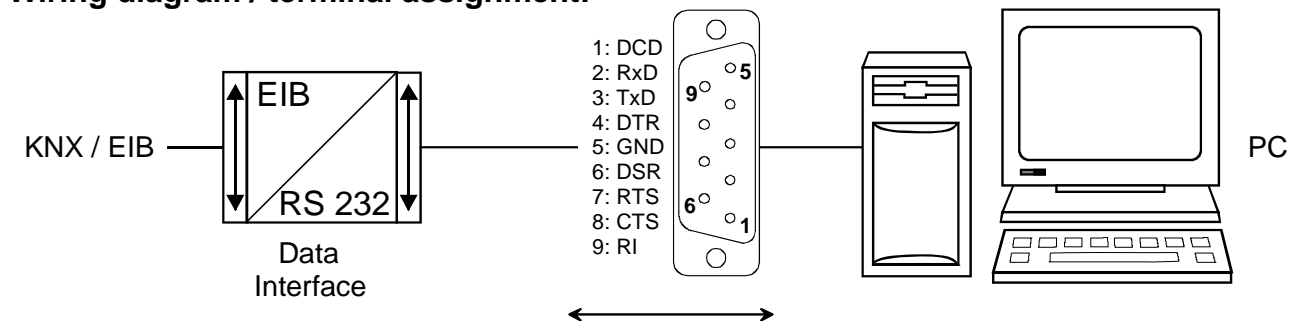
PC supply
Voltage: ± 5 V ... ± 15 V SELV
Current consumption: approx. 10 mA

Rated insulation voltage: 2.5 kV
Response to bus voltage failure: communication stopped
Response on return of bus voltage: communication resumed

RS-232:
Transmission rate: max. 9.6 kBaud
PC connection: 9-pole SUB-D connector
max. line length: 15 m

Type of protection: IP 20
Mark of approval: KNX / EIB
Ambient temperature: -5 °C ... +45 °C
Storage / transport temperature: -25 °C ... +70 °C (storage above +45 °C reduces the lifetime)
Mounting position: any
Type of fastening: Snap-fastening on DIN rail (no data rail required)

Wiring diagram / terminal assignment:



The device is connected to the KNX/EIB by means of a bus connecting terminal (bus pins behind the housing flap).
The bus line is lead out of the device housing towards the bottom (towards DIN rail). Thereafter, the cap is placed on the guide pins and slid over the bus terminal.
This type of mounting ensures a safe distance between the bus line and the 230 V lines.

Hardware information:

- For connection of a PC to the data interface, a 9-pole RS-232 extension cable (wired 1:1) must be used. If the PC interface port is equipped with a 25-pole RS-232 interface connector, a suitable and completely wired adapter must be used.
- The length of the connection cable should not exceed 15 m.

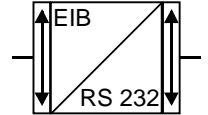


Software-description:

ETS search path:

Gira Giersiepen / communication, serial, data interface DRA

ETS-symbol:



Applications:

Summarized description:

Name:

Date:

Page:

Database:

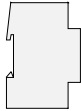
Initialization of the data interface

Data interface init 900D01

10.05

–

11539190



Application: Data interface init 900D01

Object		Object description
<input type="checkbox"/> 0	dummy	1 bit dummy object without additional function. The object only serves the purpose of basic data interface initialization.

Number of addresses (max):	1	dynamic table handling	Yes <input type="checkbox"/>	No <input checked="" type="checkbox"/>
Number of assignments (max):	1	maximum length of table	2	
Communication objects:	1			

Object	Function	Name	Type	Flag
<input type="checkbox"/> 0	dummy	Data interface	1 bit	–

Software information

- For operation of the data interface it is not required to load software into the device with the ETS! The operating software of the bus coupler is automatically configured by the hardware as serial asynchronous interface.
- The software application "data interface init 900D01" permits undisturbed communication between the bus and the connected PC by deleting erroneously loaded applications in the bus coupler of the data interface which might disturb communication. It should therefore only be loaded in case of problems or generally for the avoidance of communication disturbances.
The communication object in the application has no function and should therefore not be projected with group addresses.
- The data interface can be programmed locally or via the bus.