

**Socket outlet with LED orientation light**

Order-No. : 1170 ..

**Socket outlet with LED orientation light**

Order-No. : 1172 ..

**Operating instructions****1 Safety instructions**

Electrical equipment may only be installed and fitted by electrically skilled persons.

Failure to observe the instructions may cause damage to the device and result in fire and other hazards.

**Danger of electric shock. Always disconnect device before working on it. At the same time, take into account all circuit breakers that supply dangerous voltage to the device.**

The device is not suitable for use in safety systems or as an emergency light.

These instructions are an integral part of the product, and must remain with the end customer.

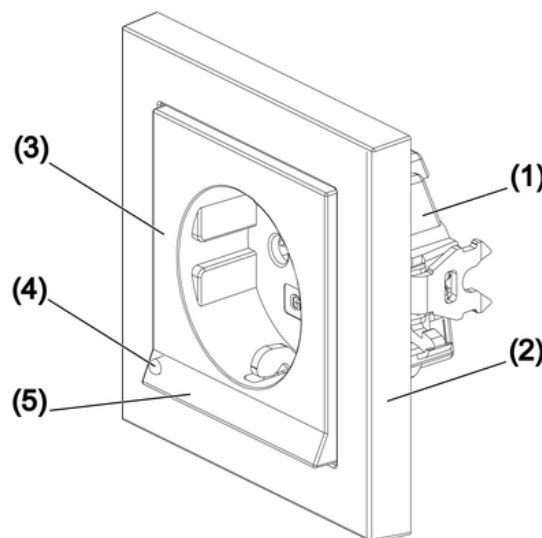
**2 Device components**

Figure 1

- (1) Socket outlet base
- (2) Cover frame
- (3) Socket outlet insert
- (4) Light sensor
- (5) Light opening

**3 Function****Intended use**

- SCHUKO socket outlet with integral LED orientation light
- Installation in appliance box to DIN 49073

**Product characteristics**

Light sensor switches LED orientation light on at twilight, and switches in on again when the brightness is sufficient.

- i** Due to component tolerances, the orientation lights may switch at different brightness values.

## 4 Information for electrically skilled persons

### 4.1 Fitting and electrical connection



#### **DANGER!**

**Electrical shock when live parts are touched.**

**Electrical shocks can be fatal.**

**Before working on the device, disconnect the power supply and cover up live parts in the working environment.**

#### Connecting and mounting the device

Install the socket outlet in such a way that the light sensor (4) is not covered.

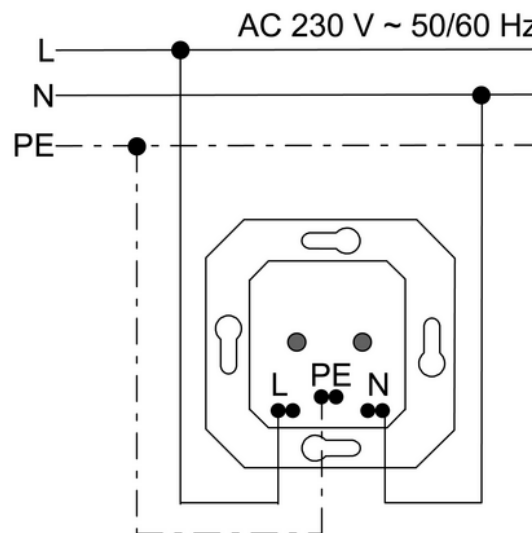


Figure 2

- Connect socket outlet base (1) in accordance with circuit diagram (Figure 2).
- Mount socket outlet base (1) in an appliance box. Connection contacts of the socket outlet base must be at the bottom.
- Fit socket outlet insert (3) and fasten with screws.

## 5 Appendix

### 5.1 Technical data

Rated voltage	AC 250 V~
Mains frequency	50 / 60 Hz
Circuit breaker	max. 16 A
Power consumption	approx. 0.35 VA
Power factor	approx. 0.70
Standby power	0.175 W
Ambient temperature	-15 ... 40 °C
Number of LEDs	4
Light colour	white

## 5.2 Warranty

The warranty is provided in accordance with statutory requirements via the specialist trade.

Please submit or send faulty devices postage paid together with an error description to your responsible salesperson (specialist trade/installation company/electrical specialist trade). They will forward the devices to the Gira Service Center.

**Gira**  
**Giersiepen GmbH & Co. KG**  
Elektro-Installations-  
Systeme

Industriegebiet Mermbach  
Dahlienstraße  
42477 Radevormwald

Postfach 12 20  
42461 Radevormwald

Deutschland

Tel +49(0)21 95 - 602-0  
Fax +49(0)21 95 - 602-399

[www.gira.de](http://www.gira.de)  
[info@gira.de](mailto:info@gira.de)