

Base for surface-mounted home station video 7

1282 03  
1282 005

10866156 49/18



# GIRA

## General safety instructions

Improper installation may result in serious injury, e.g. from electrical shock or fire, as well as equipment damage. These instructions are part of the product and must remain with the end customer.

## Product features

The base is used to position the surface-mounted home station video 7 on furniture.

## Included in delivery

- 1 x base for surface-mounted home station video 7
- 4 x countersunk screws
- 6 x Torx screws
- 1 x cable tie for strain relief
- 1 x installation instructions

Ensure the package contents are complete and undamaged. Please see "Warranty" in case of any defects.

## Required accessories

- Surface-mounted home station video 7 (Item No. 1209)

## Wiring the plug terminal



### Additional power supply

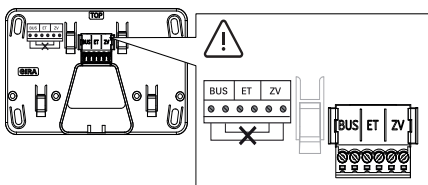
When connecting an additional power supply, the power supply unit must be EN 51658-compliant.

In addition, ensure a short-circuit current value of <math>< 1.5 \text{ A}</math>.



### Do not bridge the BUS and AS terminals.

The BUS and AS terminals must not be bridged. The home station automatically detects whether an additional power supply is connected.

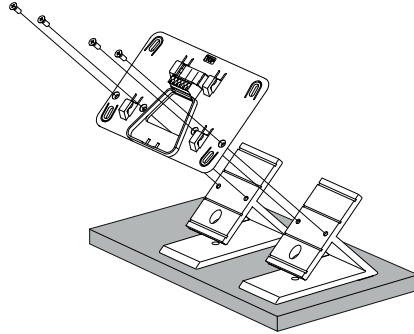


Wire the plug terminal as follows:

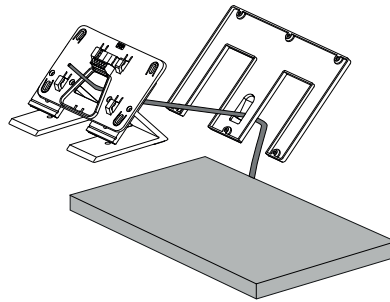
- BUS terminals for 2-wire bus,
- Additional supply (AS) terminals for any additional power supply required (one additional power supply per device is required for more than three surface-mounted home stations video 7 called in parallel),
- FC terminals for floor-call button.

## Mounting the home station

1. Screw the mounting plate to the bases using the four countersunk screws supplied (Philips screwdriver PH 1).

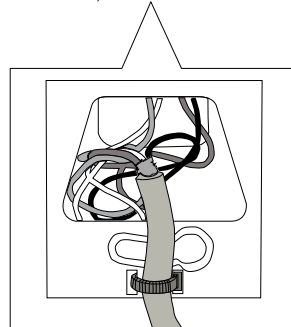
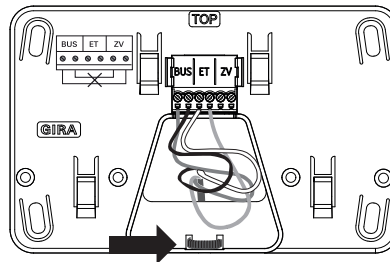


2. Guide the supply cable through the rear cover plate and the mounting plate.

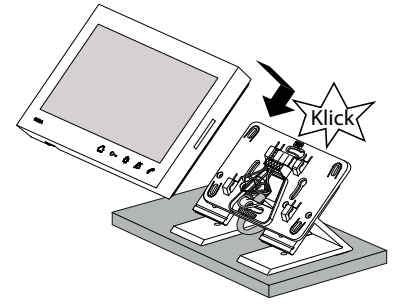


3. Strip the supply cable and lay the single wires on the plug terminal (see "Wiring the plug terminal").

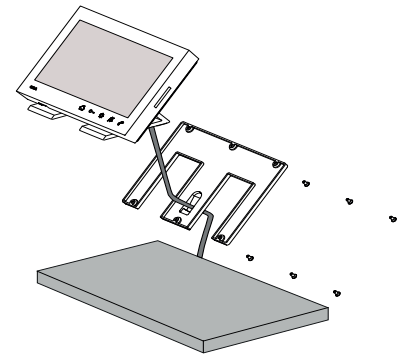
4. Fasten the supply cable to the rear of the mounting plate using the cable tie for strain relief supplied as shown below. Close the cable tie on the back.



5. Place the home station on the mounting plate and push it down until you feel and hear (click) the home station snap into place.

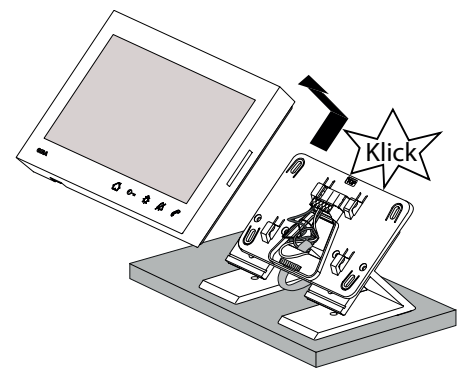


6. Insert the rear cover plate on the home station and screw it into place using the six Torx screws provided (Torx key set T10). To do so, lay the home station flat with the screen facing down. Protect the screen against scratching. Stow any surplus cable material away in the furniture.



## Removing the home station

1. Remove the rear cover plate. To do so, lay the home station flat with the screen facing down. Protect the screen against scratching.
2. Pull the home station firmly upwards until you feel and hear (click) it release from the catch.



## Warranty

The warranty is provided in accordance with statutory requirements via the retailer. Please submit or send faulty devices postage paid and with an error description to your sales representative (retailer / installation company / electrical contractor). The salesperson will forward the devices to the Gira Service Centre.

## Gira

---

Gira  
Giersiepen GmbH & Co KG  
Electrical installation  
systems

P.O. Box 1220  
42461 Radevormwald  
Phone: +49 2195 602 - 0  
Fax: +49 2195 602 - 191  
[info@gira.com](mailto:info@gira.com)  
[www.gira.de](http://www.gira.de)