

Gira G1

230 V 2067 05/2067 12

PoE 2069 05/2069 12

24 V 2077 05/2077 12



[EN] Installation instructions

GIRA

Contents

1	For your safety	p. 3	3	Mounting devices	p. 13
1.1	Area of application	p. 4	3.1	Unpacking devices	p. 14
1.2	General safety instructions	p. 4	3.2	Selecting installation site	p. 14
<hr/>			3.3	Connecting the flush-mounted connection module	p. 16
2	Device description	p. 7	3.3.1	Connecting flush-mounted connection module PoE	p. 16
2.1	Flush-mounted connection module	p. 8	3.3.2	Connecting flush-mounted connection module 230 V	p. 19
2.1.1	Flush-mounted connection module PoE	p. 8	3.3.3	Connecting flush-mounted connection module 24 V	p. 20
2.1.2	Flush-mounted connection module 230 V	p. 9	3.4	Inserting the flush-mounted connection module	p. 21
2.1.3	Flush-mounted connection module 24 V	p. 9	3.5	Fastening the holding frame	p. 22
2.2	Holding frame	p. 10	3.5.1	Fastening with dowels and screws	p. 22
2.3	Display module	p. 10	3.5.2	Fastening over two flush-mounted device boxes	p. 24
2.4	Scope of supply	p. 11	3.6	Attaching the display module	p. 25
<hr/>			<hr/>		
			4	Cleaning	p. 27
			<hr/>		
			5	Disassembly	p. 28
			<hr/>		
			6	Disposal	p. 32
			<hr/>		
			7	Technical data	p. 33
			<hr/>		
			8	Warranty	p. 35

For your safety

Read these installation instructions thoroughly. This prevents material damage.

These instructions are part of the product and must remain with the end customer.

Gira shall not assume any liability for damages resulting from failure to observe these installation instructions. If you require further information or have any questions regarding the device, please contact our customer service or visit our website at www.gira.de.

Area of application

The Gira G1 is suitable for indoor use only. The Gira G1 is only suitable for the control of equipment and devices which do not pose a danger for life and limb.

Motors without a safety switch-off such as an end switch or obstacle detection must not be controlled using the Gira G1.

Any other use is not in accordance with the intended purpose and can result in injury and material damage. Gira shall not be liable for damages caused by use which is not in accordance with the intended purpose.

When planning the system, please observe the technical information on network planning in the device documentation.

All documentation and instructions for this product are available on the manufacturer's website.

General safety instructions

Danger to life due to electric shock

The Gira G1 230 V is connected to the 230 V mains voltage.

The user can be subjected to a life-threatening electric shock if the device is installed improperly.

- Only a qualified electrician is permitted to install and mount electrical devices. In doing so, the applicable accident prevention regulations must be observed.
- Use the Gira G1 only if it is in proper technical condition. Do not repair the device yourself.
- Do not open any tightly screwed cover plates on the device's housing.

Overheating protection

In case of overheating, the Gira G1 switches off automatically to prevent damage to the device.

- Do not position the Gira G1 at a distance of less than 50 mm from an interference source around the device. This allows heat to be diverted ideally.
- Never cover the Gira G1 [e.g. with a curtain].
- Never block the Gira G1 [e.g. with a cabinet].

Destruction of electronic components due to improper handling

The Gira G1 contains sensitive electronic components. These components can be destroyed by improper handling.

- Do not drop the Gira G1.
- Do not modify the Gira G1, its components, or its accessories.

Risk of shattering due to improper handling

The front of the device is made of glass. This glass can shatter if the device is dropped from a significant height or if the edge is struck.

- Never subject the Gira G1 to considerable impact or pressure.
- Do not mount the Gira G1 if the glass cover is cracked or broken.

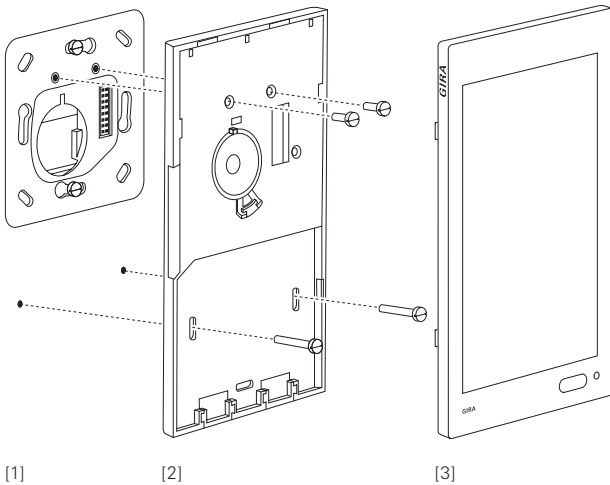


Fig. 1
Gira G1 device design

- [1] Flush-mounted connection module
- [2] Holding frame
- [3] Display module

2.1.

Flush-mounted connection module

The Gira G1 can be attached to one of three flush-mounted connection modules: PoE, 230 V WLAN, or 24 V WLAN.

2.1.1

Flush-mounted connection module PoE

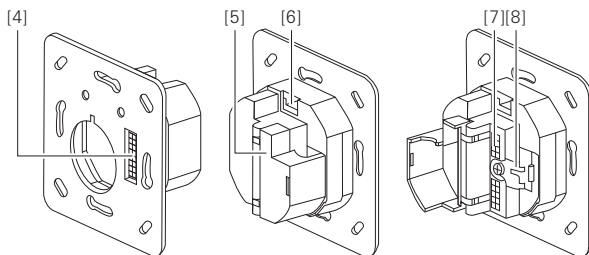


Fig. 2
Flush-mounted connection module PoE

Front view of the flush-mounted connection module PoE:

[4] Electronic interface to the display module

Rear view of the flush-mounted connection module PoE

[cap closed]:

[5] Cap

[6] Connection pin jack of input module, 4-gang

Rear view of the flush-mounted connection module PoE

[cap open]:

[7] PoE plug terminal

[8] Clip with shielded contact surface

The PoE plug terminal is divided into two parts. The PoE plug terminal can be connected to the network cable either with the colour code EIA/TIA-568A or EIA/TIA-568B.

2.1.2

Flush-mounted connection module 230 V

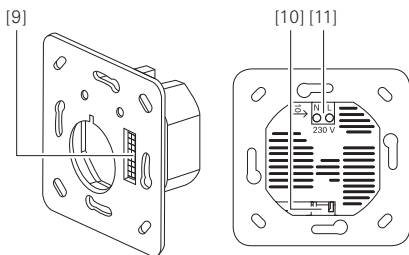


Fig. 3
Flush-mounted connection module 230 V

Front view of the flush-mounted connection module 230 V:
[9] Electronic interface to the display module
Rear view of the flush-mounted connection module 230 V:
[10] Connection pin jack of input module, 4-gang
[11] Connection terminal 230 V

2.1.3

Flush-mounted connection module 24 V

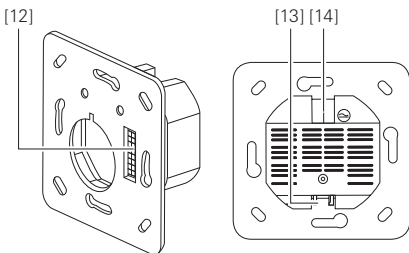


Fig. 4
Flush-mounted connection module 24 V

Front view of the flush-mounted connection module 24 V:
[12] Electronic interface to the display module
Rear view of the flush-mounted connection module 24 V:
[13] Connection pin jack of input module, 4-gang
[14] 24 V plug terminal

Holding frame

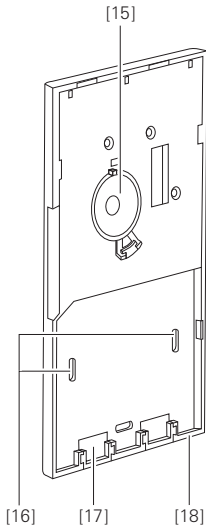


Fig. 5
Front view of holding frame

- [15] Loudspeaker
- [16] Slots for fastening
- [17] Cut-out for temperature sensor module
- [18] Guide element

Display module

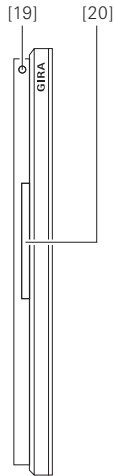


Fig. 6
Side view of display module
with holding frame

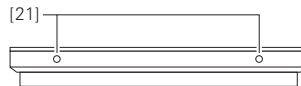


Fig. 7
Bottom view of display module

- [19] Release opening
- [20] Sound channel
- [21] Microphone openings

2.4

Scope of supply

1 ×
Display module Gira G1 white
[for Order No. 2067 12, 2069 12,
and 2077 12 only]

or 1 ×
Display module Gira G1 black
[for Order No. 2067 05, 2069 05,
and 2077 05 only]

1 ×
Holding frame with loudspeaker

1 ×
Flush-mounted connection module
PoE
[for Order No. 2069 05 and 2069 12
only]

or 1 ×
Flush-mounted connection module
230 V
[for Order No. 2067 05 and 2067 12
only]

or 1 ×
Flush-mounted connection module
24 V
[for Order No. 2077 05 and 2077 12
only]

1 ×
Microfibre cloth

1 ×
Screw set for flush-mounted
connection module:
- 4 ×
Countersunk screws
[2 × 30 mm and 2 × 15 mm]

1 ×
Screw set for holding frame:
- 2 ×
Fischer dowels, size 5
- 4 ×
Countersunk screws
[2 × 30 mm and 2 × 15 mm]
- 2 ×
Cylinder head screws M3 × 10

1 ×
Copper adhesive tape
[for Order No. 2069 05 and 2069 12
only]

1 ×
Release tool

1 ×
Installation instructions

Mounting devices



DANGER
Electric shock

Touching live parts while mounting the Gira G1 can result in a short circuit or danger for life and limb [e.g. caused by an electric shock].

- Mounting the Gira G1 may be carried out by qualified electricians only. In doing so, the applicable accident prevention regulations must be observed.
-

3.1

Unpacking devices

01

Remove the display module, holding frame, flush-mounted connection module, and all additional parts from the boxes individually.

02

Ensure the package contents are complete and intact [see the warranty].

03

Remove the packing material, cardboard strips, and protective films from the devices. Leave the protective cardboard of the holding frame and protective film of the display module intact.

04

The packing materials of the Gira G1 are sustainable and recyclable. Please help protect the environment by disposing of the packaging in an environmentally friendly manner.

3.2

Selecting installation site

01

Select a suitable installation site.

Important

Faults due to an unsuitable installation site

Observe the following during mounting: leave at least 50 mm of free space around the device.

As an option, the Gira G1 can be installed on one or two flush-mounted device boxes. Mounting is possible using a pre-installed flush-mounted device box. When using flush-mounted device boxes for installation, the flush-mounted device box for the power supply is always on top.

Note

We recommend an mounting height of 1.5 m for the Gira G1.

Important

Complications during mounting

We recommend using an electronics box for mounting the Gira G1 PoE.
Use at least a Cat.5 Ethernet cable for mounting the Gira G1 PoE.

3.3

Connecting the flush-mounted connection module

The Gira G1 can be attached to one of three flush-mounted connection modules: PoE, 230 V, and 24 V.

Please connect the variant you have purchased as described below.

3.3.1

Connecting the flush-mounted connection module PoE

Open the cap of the connection module PoE:

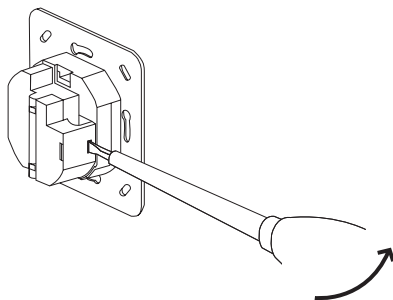


Fig. 8
Open cap using a screwdriver

01
Push screwdriver into cap cut-out.
Pry up the cap.

02
Strip the plastic sheath of the
Cat. cable 50 mm.

03
Push braided screen back on a length
of 35 mm and cut it off around the
cable so that 15 mm protrude from the
plastic sheathing [see Fig. 9].

04
If there are shielding foil and transpar-
ent polyester film, shorten them to
15 mm.

05
Stick the copper adhesive tape tightly
around the shield.

06
Lay the shielding on the shielded
contact surface.

Important

Electromagnetic compatibility

The shield must be connected to earth
on the PoE switch side.

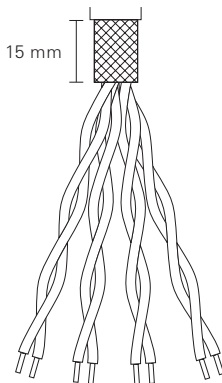
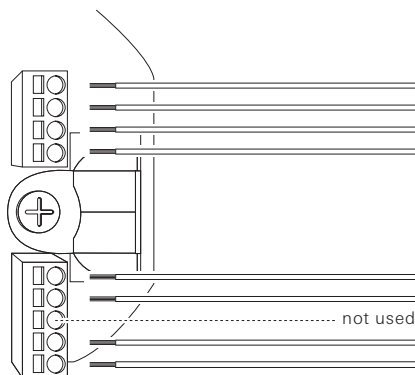


Fig. 9
Cable with braided screen and wires



<u>EIA/TIA568A</u>	<u>EIA/TIA568B</u>
--------------------	--------------------

BN/WH	BN/WH
BN	BN
BU/WH	BU/WH
BU	BU

OG	GN
OG/WH	GN/WH
GN	OG
GN/WH	OG/WH

Fig. 10
Colour code EIA/TIA568A/B

07
Fix Cat. cable with the clip.

08
Connect wires according to colour code EIA/TIA568A/B.

09
Close cap.

✓
The flush-mounted connection module PoE is connected.

Important
Close cap

The cap cannot be closed if the wires are cut too long.

- Keep the unshielded individual wires as short as possible.
-

3.3.2

Connecting the flush-mounted connection module 230 V

Connect the flush-mounted connection module 230 V:

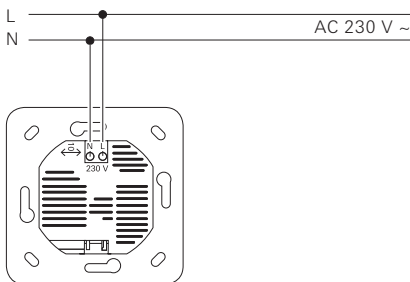


Fig. 11
Connection of the flush-mounted connection module 230 V

01 Shorten the 230 V cable to the desired length.

02 Remove sheathing.

03 Strip wires.

04 Connect with the connection terminal 230 V.



The flush-mounted connection module 230 V is connected.

3.3.3

Connecting the flush-mounted connection module 24 V

Connect the flush-mounted connection module 24 V:

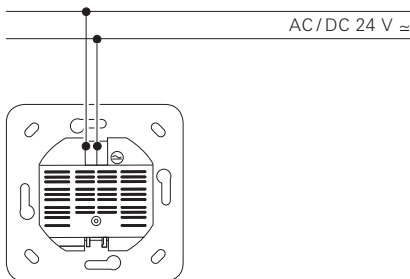


Fig. 12
Connection of the flush-mounted connection module 24 V

01
Shorten the 24 V cable to the desired length.

02
Remove sheathing.

03
Strip wires.

04
Connect with the 24 V plug terminal.



The flush-mounted connection module 24 V is connected.

Note

The polarity is irrelevant for wiring.

3.4

Inserting the flush-mounted connection module

Fasten the flush-mounted connection module:

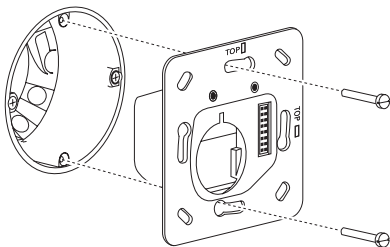


Fig. 13
Inserting the flush-mounted connection module

01
Insert the flush-mounted connection module into the flush-mounted device box.

Note
TOP

Mind the TOP marking. The TOP marking must be upright as shown in the image.

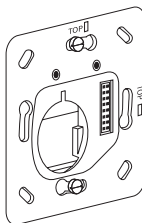


Fig. 14
Flush-mounted connection module is fixed

02
Tighten two of the supplied suitable countersunk screws.



The flush-mounted connection module is fixed.

3.5

Fastening the holding frame

There are two options for fastening the holding frame:

- with dowels and screws if there is only one flush-mounted device box, or
- over two flush-mounted device boxes.

3.5.1

Fastening the holding frame with dowels and screws

Fasten the holding frame using dowels and screws:

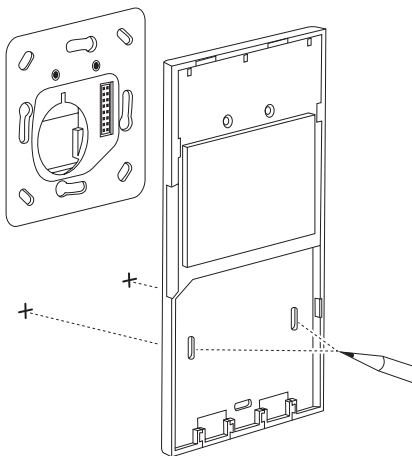


Fig. 15
Marking the drilling position

01
Place the holding frame on the
flush-mounted connection module.

02
Straighten the holding frame.

03
Mark the drilling position for the
holding frame.

04
Drill the holes in the wall for the
holding frame.

05
Insert the supplied dowels into the
drilling holes.

06
Fix the holding frame using the
cylinder head screws M3 x 10
[see Fig. 16 [22]].

07
Tighten the screws for the dowels
[see Fig. 16 [23]].

✓
The holding frame is fastened.

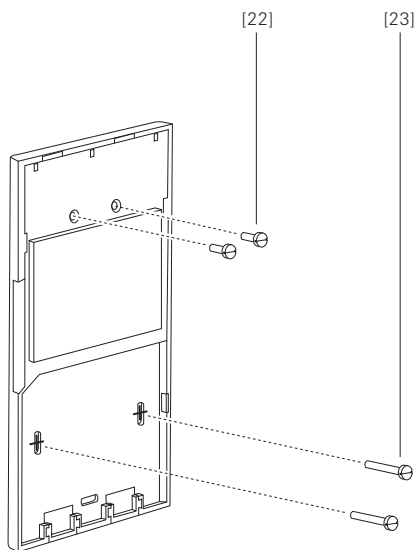
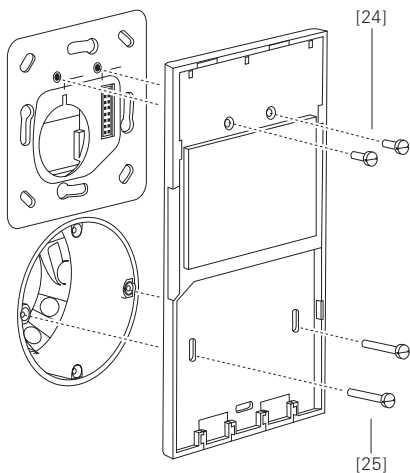


Fig. 16
Screwing in the holding frame

3.5.2

Fastening the holding frame over two flush-mounted device boxes

Fasten the holding frame over two flush-mounted device boxes:



01
Fix the holding frame using the cylinder head screws M3 × 10 [see Fig. 17 [24]].

02
Tighten two of the supplied suitable countersunk screws [see Fig. 17 [25]] in the lower flush-mounted device box.



The holding frame is fastened.

Fig. 17
Screwing the holding frame onto two flush-mounted device boxes

Attaching the display module

Put on the display module as follows:

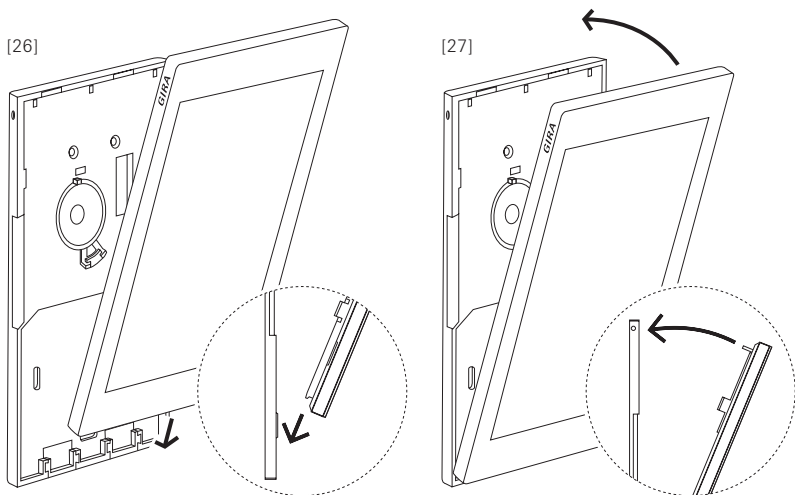


Fig. 18
Inserting the display module and tilting it into place

01 Remove the protective cover from the holding frame.

02 Insert the display module into the guide element of the holding frame [see Fig. 18 [26]].

03 Tilt the display module up into place [see Fig. 18 [27]].

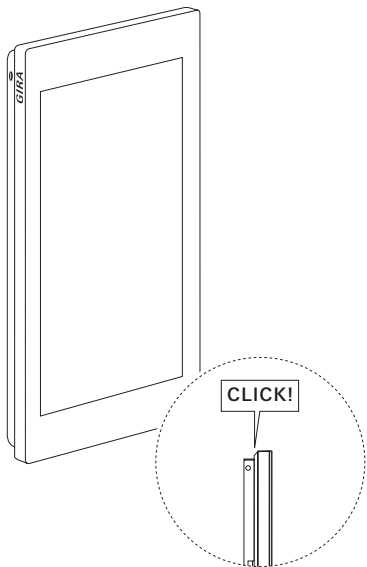


Fig. 19
Display module locked into place

✓
The display module locks into place at the snap-in points in the holding frame.

Important

Display module falling out

The Gira G1 is not properly clicked into place until the latch in the release opening has fallen back into its end position.

Note

The electrical contact between the flush-mounted connection module, the display module, the loudspeaker, and the temperature sensor module [where applicable] is not established until the display module is tilted into place.

04
Remove the protective film from the display module.

Cleaning

Important

Damage to the touch screen

The front of the device is made of glass. This glass can be damaged due to improper cleaning.

- Do not clean the Gira G1 using sharp objects.
 - Do not use strong detergents, acids, or organic solvents.
-

Clean the display module of the Gira G1 by slightly moistening the supplied microfibre cloth and wiping it.

**DANGER**
Electric shock

Touching live parts while disassembling the Gira G1 can result in a short circuit or danger for life and limb [e.g. caused by an electric shock].

Disassembly of the Gira G1 may be carried out by qualified electricians only. In doing so, the applicable accident prevention regulations must be observed.

The display module is removed as follows:

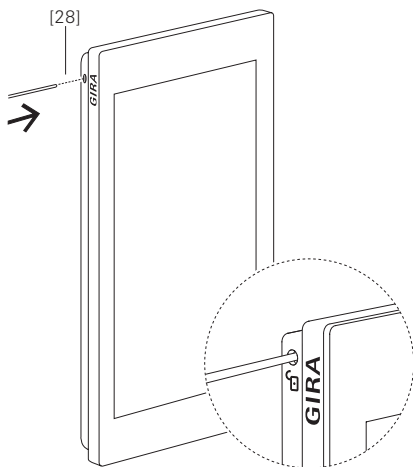


Fig. 20
Inserting the release tool

01
Apply slight pressure to guide the release tool or thin screwdriver into the release opening and hold it there [see Fig. 20 [28]].

✓
The display module is unlocked.

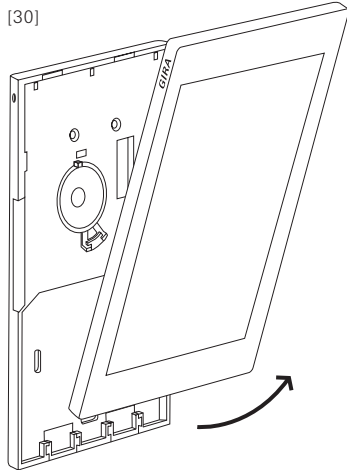
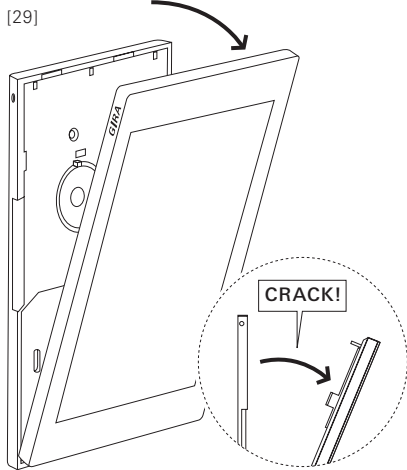


Fig. 21
Tilting the display module out

02

Firmly pull the upper edge of the display forward and out of the latches [see Fig. 21 [29]] and remove it [see Fig. 21 [30]].

03

[Optional] Remove the Gira G1 temperature sensor module.

04

Remove all screws from the holding frame.

05

Remove the holding frame.

06

Loosen the box screws.

07

Pull the flush-mounted connection module out of the flush-mounted device box.

08

Disconnect the supply line or remove it from the terminal.

Disposal

High-quality materials and components were used in developing and manufacturing the device. They can be recycled and reused.

Please consult the regulations governing the separate collection of electric/electronic waste valid for your country. These devices may not be disposed of with household waste. The correct disposal of waste can prevent possible negative consequences to the environment and humans.

 Technical data

 Gira G1 PoE

Application	Room operating device
Design	Flush-mounted unit PoE
Order numbers	white: 2069 12 black: 2069 05

 Gira G1 230 V

Application	Room operating device
Design	Flush-mounted unit 230 V
Order numbers	white: 2067 12 black: 2067 05

 Gira G1 24 V

Application	Room operating device
Design	Flush-mounted unit 24 V
Order numbers	white: 2077 12 black: 2077 05

 Protection type IP 21

Dimensions [W × H × D]	97 × 168 × 47 mm
------------------------	------------------

Mounting height	15 mm
-----------------	-------

Ambient temperature	0 °C to +45 °C
---------------------	----------------

Storage / transport temperature	-20 °C to +70 °C
---------------------------------	------------------

Relative humidity	max. 95% r. h., no condensation
-------------------	------------------------------------

 Display

Type	TFT
------	-----

Size	15.3 cm [6.02"]
------	-----------------

Colours	16.7 million
---------	--------------

Resolution	480 × 800 pixels [WVGA] 155 ppi
------------	------------------------------------

Brightness	350 cd/m ²
------------	-----------------------

Contrast ratio	1 : 500
----------------	---------

Viewing angle	> 80° all around
---------------	------------------

Proximity sensor

Range of detection 30° horizontal,
 30° vertical

Range max. 50 cm

Flush-mounted connection module PoE

Recommended cable Cat.5_e to Cat.7

Rated voltage DC PoE 48 V
 [36 to 57 V]
 Class 0

Protection class III [SELV]

LAN standard IEEE 802.3af

Flush-mounted connection module 230 V

Rated voltage AC 230 V ± 10 %

Protection class II

Mains frequency 50/60 Hz

WLAN standard IEEE 802.11b/g/n
 – 2.4 GHz

Flush-mounted connection module 24 V

Rated voltage AC/DC 24 V

Supply range AC/DC 10 to 31 V

Protection class III [SELV]

WLAN standard IEEE 802.11b/g/n
 – 2.4 GHz

Connection cable

Wire diameter 0.6 to 0.8 mm

Warranty

The warranty is provided in accordance with statutory requirements via the specialist trade.

Please submit or send faulty devices postage paid together with an error description to your responsible salesperson [specialist trade/installation company/specialist electrical trade]. They will forward the devices to the Gira Service Center.

GIRA

Gira
Giersiepen GmbH & Co. KG
Electrical installation
systems

P.O. Box 1220
42461 Radevormwald

Germany

Phone +49(0)2195-602-0
Fax +49(0)2195-602-191

www.gira.de
info@gira.de

Gira in Austria

Phone 0800-293662
Fax 0800-293657

www.gira.at
info@gira.at