

Touch dimming top unit

Order-No. : 2260..

Touch switching top unit

Order-No. : 2261..

Operating instructions

1 Safety instructions

Electrical equipment may only be installed and fitted by electrically skilled persons.

Failure to observe the instructions may cause damage to the device and result in fire and other hazards.

Danger of electric shock. Always disconnect before carrying out work on the device or load. At the same time, take into account all circuit breakers that supply dangerous voltage to the device or load.

Danger of electric shock. Device is not suitable for disconnection from supply voltage. The load is not electrically isolated from the mains even when the device is switched off.

These instructions are an integral part of the product, and must remain with the end customer.

2 Device components

Dimmer cover (Figure 1)

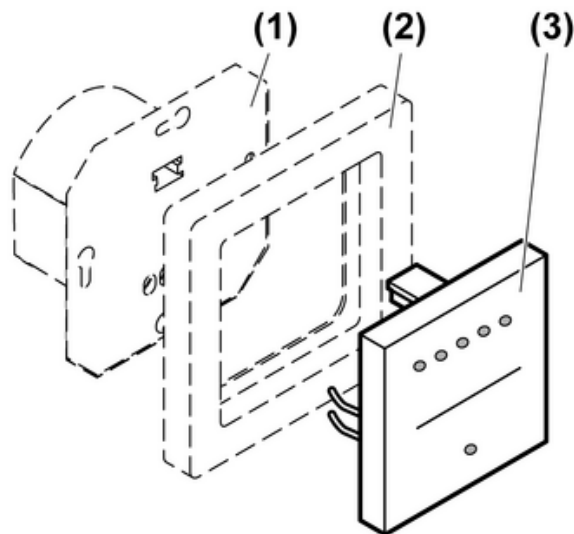


Figure 1: Device components

- (1) Flush-mounted insert
- (2) Frame
- (3) Dimmer cover

Switch cover (Figure 2)

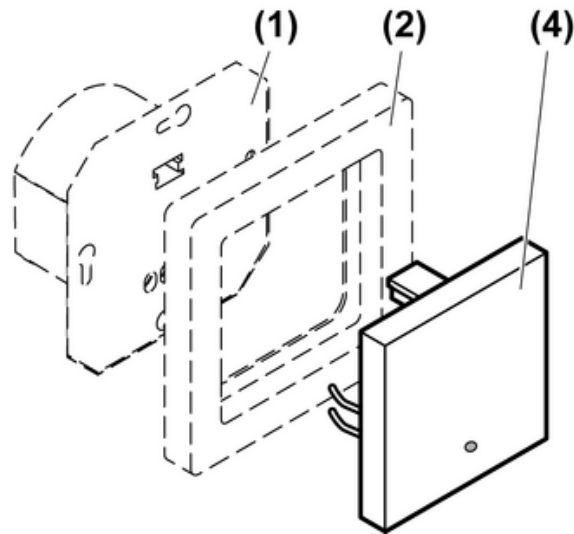


Figure 2: Device components

- (1) Flush-mounted insert
- (2) Frame
- (4) Switch cover

3 Function

Intended use

- Manual operation of lighting
- Operation with flush-mounted insert for dimming or switching
- Mounting on flush-mounted insert

Product characteristics

- Operation through touching the control surfaces
- Audible feedback when a touch is detected
- Switching on to eight permanently specified dimming levels, only dimmer cover
- Switch-on brightness can be saved permanently, only dimmer cover
- Indication of switching state and brightness value via LED

i The cover cannot be operated on extensions.

4 Operation

Dimmer cover (Figure 3)

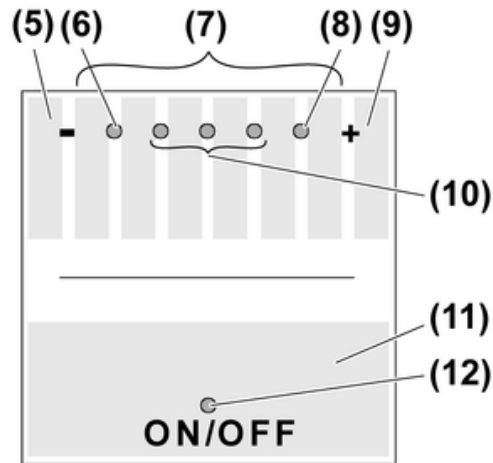


Figure 3: Dimmer cover

- (5) Minimum brightness control surface, minus sign
- (6) LED minimum brightness
- (7) Intermediate value control surfaces
- (8) LED maximum brightness
- (9) Maximum brightness control surface, plus sign
- (10) LED intermediate values
- (11) Switch on/off control surface
- (12) LED switching state
LED on = Light switched off

Touching a control surface switches the light accordingly. A brief acknowledgement tone sounds every time a touch is detected. The upper half of the dimmer cover is subdivided into eight control surfaces (Figure 3). Each control surface corresponds to a dimming level. The lower half of the dimmer cover is used for switching on and off.

Switching light to a dimming state

- Touch a control surface on the upper half of the button.
Maximum brightness: right control surface +
Minimum brightness: left control surface -

Switching the light off

Light is switched on.

- Press lower control surface for shorter than 3 seconds.
Light is switched off upon release.

Switching light to switch-on brightness

Light is switched off.

- Press lower control surface for shorter than 3 seconds.

Saving switch-on brightness

Switch-on brightness when switching on with the lower control surface of the dimmer cover.

- Set light to required brightness.
- Press lower control surface for longer than 3 seconds.

The switch-on brightness is saved after 3 seconds. A long acknowledgement tone sounds as confirmation, the lighting is switched off and then on again to the saved value.

- i** In the state as supplied the maximum switch-on brightness is saved.

Switching light with extension

- Press button for shorter than 0.5 seconds.
Light switches to switch-on brightness.

Adjusting brightness with extension

The light is switched on.

- Press button at top for longer than 0.5 seconds.
The light gets brighter up to maximum brightness.
- Press button at bottom for longer than 0.5 seconds.
Light gets darker to minimum brightness.

- i** Press installation button longer than 0.5 seconds. The light becomes brighter up to maximum brightness, remains there briefly and becomes dimmer down to minimum brightness. This process repeats for as long as the installation button remains pressed.

Switching light on at minimum brightness with extension

Light is switched off.

- Press button at bottom or installation button longer than 0.5 seconds.

Saving switch-on brightness with extension

- Set light to the required brightness.
- Press button over entire surface for longer than 3 seconds.
Switch-on brightness is saved. For confirmation the lighting switches off briefly and then on again to the saved switch-on brightness.

- i** An installation button cannot be used to save the switch-on brightness.

Switch cover (Figure 4)

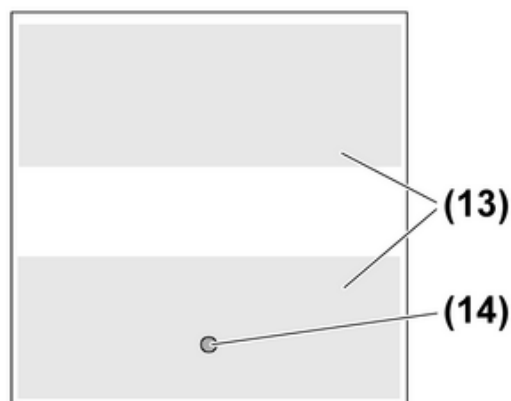


Figure 4: Switch cover

(13) Control surfaces

(14) LED switching state

LED on = Light switched off
LED off = light switched on

The switch cover has two control surfaces. Touching them switches the light. A brief acknowledgement tone sounds every time a touch is detected.

Switch light

- Touch control surface or press extension.
The light switches on or off.

5 Information for electrically skilled persons

5.1 Fitting and electrical connection



DANGER!

Electrical shock when live parts are touched.

Electrical shocks can be fatal.

Before carrying out work on the device or load, disengage all the corresponding circuit breakers. Cover up live parts in the working environment.

Fitting the cover

The flush-mounted insert is correctly fitted and connected (see instructions for flush-mounted insert).

- Fit cover and frame on flush-mounted insert.
- Switch on mains voltage

Cover performs initialisation for approx. 10 seconds. During initialisation the light is switched off and the cover cannot be operated.

6 Appendix

6.1 Technical data

Ambient temperature

+5 ... +45 °C

6.2 Warranty

The warranty is provided in accordance with statutory requirements via the specialist trade.

Please submit or send faulty devices postage paid together with an error description to your responsible salesperson (specialist trade/installation company/electrical specialist trade). They will forward the devices to the Gira Service Center.

Gira
Giersiepen GmbH & Co. KG
Elektro-Installations-
Systeme

Industriegebiet Mermbach
Dahlienstraße
42477 Radevormwald

Postfach 12 20
42461 Radevormwald

Deutschland

Tel +49(0)21 95 - 602-0
Fax +49(0)21 95 - 602-399

www.gira.de
info@gira.de