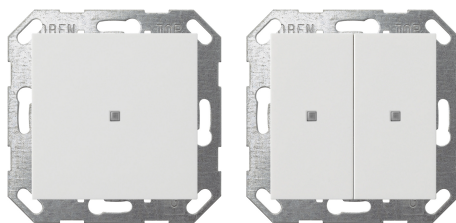


## Operating instructions

Button, rocker 1-gang  
Order no. 5171 .., 5172 ..

Button, rocker 2-gang  
Order no. 5173 .., 5174 .., 5175 ..



## Table of Contents

<b>1</b>	<b>Safety instructions</b> .....	<b>3</b>
<b>2</b>	<b>Device components</b> .....	<b>3</b>
<b>3</b>	<b>Function</b> .....	<b>4</b>
<b>4</b>	<b>Operation examples</b> .....	<b>6</b>
<b>5</b>	<b>Information for electrically skilled persons</b> .....	<b>6</b>
5.1	Mounting and electrical connection.....	6
5.2	Commissioning .....	8
5.2.1	Safe-state mode .....	8
5.2.2	Master reset.....	9
<b>6</b>	<b>Technical data</b> .....	<b>10</b>
<b>7</b>	<b>Parameter list</b> .....	<b>10</b>
<b>8</b>	<b>Warranty</b> .....	<b>11</b>

## 1 Safety instructions



Electrical devices may only be mounted and connected by electrically skilled persons.

Serious injuries, fire or property damage possible. Please read and follow manual fully.

Danger of electric shock. During installation and cable routing, comply with the regulations and standards which apply for SELV circuits.

This manual is an integral part of the product, and must remain with the end customer.

## 2 Device components

Front view 1-gang (see figure 1) and 2-gang (see figure 2)

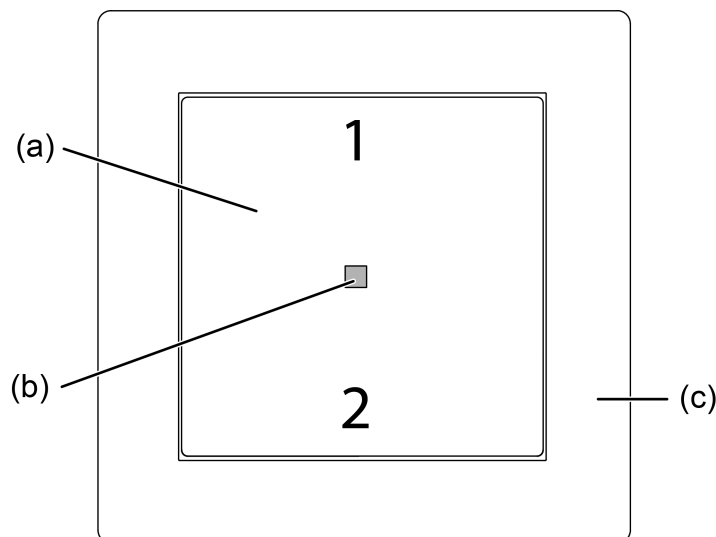


Image 1: Device components 1-gang

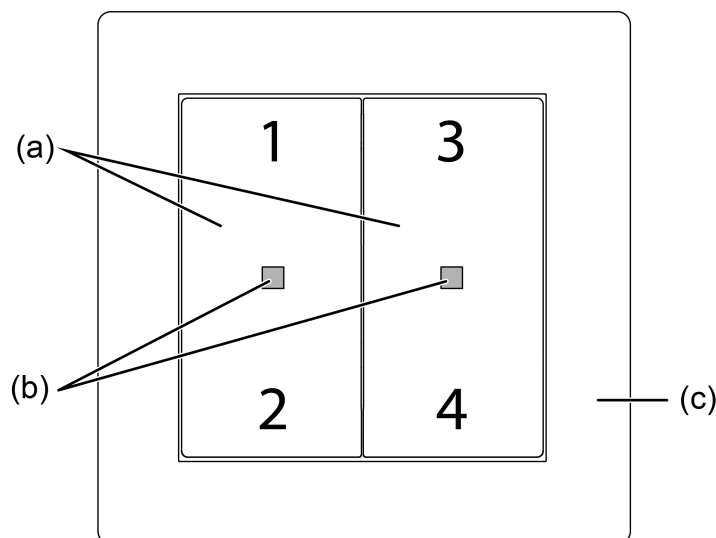


Image 2: Device components 2-gang

- (a) Operating rockers (accessory)
- (b) Status LED
- (c) Cover frame (accessory)
- 1...4 Push-buttons assignment and status LED

### Rear view (see figure 3)

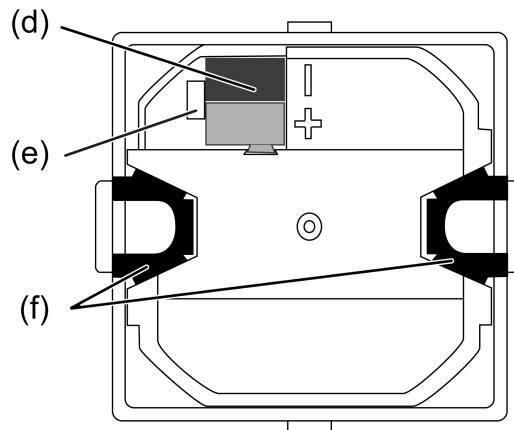


Image 3: Device components

- (d) Device connection terminal
- (e) Opening for removing the device connection terminal with a screwdriver
- (f) Retaining spring for mounting in supporting frame

## 3 Function

### System information

This device is a product for the Gira One Smart Home system. The Gira One system is commissioned easily and in a time-saving manner using the Gira Project Assistant.

The Gira One Smart Home system enables the control and automation of lighting, heating and shading, as well as connection to various third-party systems and much more. It can be operated via Gira One switches, by app from home or securely from a remote location. Electrically skilled persons can maintain the Gira One project remotely free of charge.

Data transmission between the Gira One devices is encrypted. This provides protection against third-party access and manipulation.

Commissioning is carried out with the free Gira Project Assistant (GPA), version 5 or higher. Free function and security updates are also transferred to the Gira One devices with the GPA.

The Gira One system is based on the globally proven KNX smart home standard.

### Intended use

- Operation in Gira One system

- Operation of loads, e.g. lights, Venetian blinds
- Mounting in appliance box with dimensions according to DIN 49073

### **Product characteristics**

- Push-button for operation of the Gira One system
- Integrated temperature sensor for measurement of the room temperature
- Programming and commissioning with the Gira Project Assistant (GPA), version 5.0 or higher
- Encrypted data transmission between the Gira One devices

### **Operating functions**

- Switching loads, such as light, socket or pump
- Dim the light
- Operation of shading and ventilation loads (Venetian blinds, shutters, roof windows, roof domes and awnings)
- Convenient group control of switching, dimming, shading and ventilation loads
- Recalling scene variants
- Operation as staircase switch for activation of staircase function with switching and dimming loads
- Function as floor call push-button together with the Gira G1
- Control of Sonos audio devices
- Control of hue loads
- Control of eNet loads
- Function as door or garage door opener
- Boost function

### **Room temperature**

- Temperature calibration for the integrated temperature sensor

### **LED display**

- The brightness of the status LED can be set to 5 levels and OFF
- The colour of the status LEDs (red, green, blue) can be set
- Function selection of the status LEDs can be set according to the rocker function: always OFF, always ON, actuation display or status display

## 4 Operation examples

- Switch: Short press on button.
- Dim: Long press on button. The dimming process ends when the button is released.
- Move Venetian blind: Long press on button.
- Stop or adjust Venetian blind: Short press on button.

## 5 Information for electrically skilled persons

### 5.1 Mounting and electrical connection



#### **DANGER!**

Mortal danger of electric shock.

Cover up live parts in the installation environment.

Mounting and connecting the device (see figure 4)

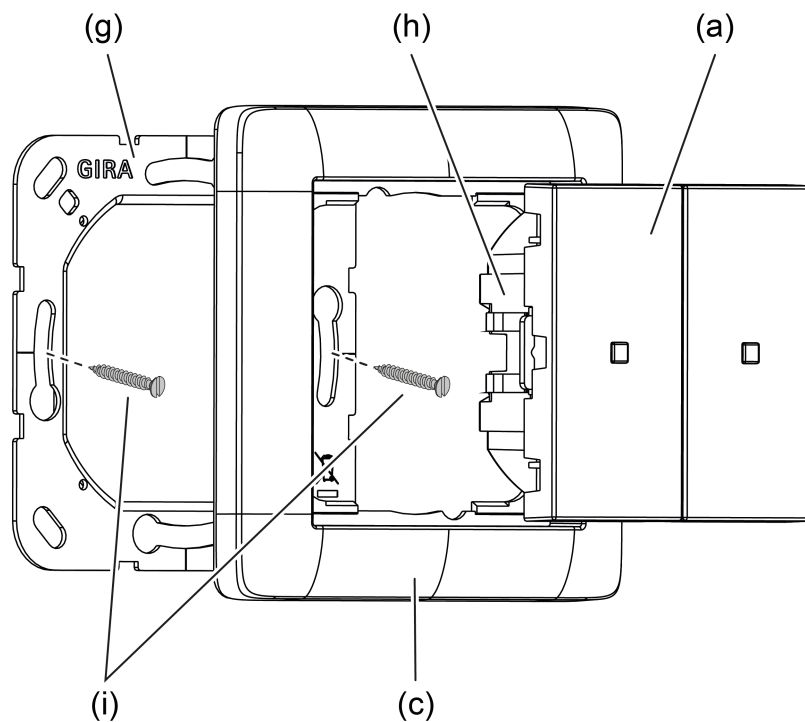


Image 4: Mounting the device

- (a) Operating rockers
- (c) Cover frame
- (g) Supporting frame
- (h) Basic unit
- (i) Box screws

- i** The device should be used in an air-tight appliance box. Otherwise temperature measurements can be negatively influenced by draughts.
    - Enter or scan the device certificate and add it to the project. A high resolution camera should be used to scan the QR code.
    - The device certificate should be removed from the device during mounting.
    - Document all passwords and keep them safe.
  - Mount supporting frame on an appliance box
  - i** Use the supplied box screws.
    - Position the cover frame on the supporting frame.
    - Connect device using device connection terminal (red = +, black = -).
    - Attach device onto the supporting frame.
- Cover frame is fixed.

The device can be commissioned and is ready for operation.

## 5.2 Commissioning

The device is commissioned with the Gira Project Assistant (GPA) version 5 or higher.

### 5.2.1 Safe-state mode

The safe-state mode stops the execution of the program.

Only the system software of the device is still functional. Diagnosis functions and programming of the device are possible.

#### Activating safe-state mode

- Switch off the bus voltage.
- Press and hold down the top right and bottom right button.
- Switch on the bus voltage.

The safe-state mode is activated. The status LED flashes red slowly (approx. 1 Hz).

**i** Only release the top right and bottom right buttons when the LED flashes.

#### Deactivating safe-state mode

- Switch off bus voltage or carry out programming.



## 5.2.2 Master reset

The master reset restores the basic device settings (firmware remains in place). The device must then be recommissioned with the GPA.

### Performing a master reset

Precondition: The safe-state mode is activated.

- Press and hold down the top right and bottom right button for more than 5 seconds until the status LED flashes.

The device performs a master reset. The status LED flashes quickly (approx. 4 Hz).

The device restarts and is in delivery state.

## 6 Technical data

Rated voltage	DC 21 ... 32 V SELV
Current consumption	8 ... 12 mA
Connection mode	Device connection terminal
Protection class	III

### Ambient conditions

Ambient temperature	-5 ... +50 °C
Storage/transport temperature	-25 ... +70 °C
Relative humidity	max. 93 % (no condensation)

## 7 Parameter list

Parameters that can be set via the GPA:

Status LED brightness	Off Heavily dimmed Dimmed Normal Bright Very bright
-----------------------	--

The brightness of the status LEDs can be defined here.  
In the case of the push-button rocker 2-gang, this setting applies to both LEDs.

Colour	Red Green Blue
--------	----------------------

The colour of the status LEDs can be defined here.  
In the case of the push-button rocker 2-gang, the colour of the status LEDs can be defined separately for each rocker.

Function	always off always ON Button-press display Status indication
<p>The function of the status LEDs can be defined here.</p> <p>In the case of the push-button rocker 2-gang, the function of the status LEDs can be defined separately for each rocker.</p> <p>The settings have the following functions:</p> <ul style="list-style-type: none"> <li>- always OFF The status LED is always off.</li> <li>- always ON The status LED is always on.</li> <li>- Button-press display The status LED lights up when the rocker is actuated.</li> <li>- Status indication The status LED indicates the state of the function triggered by the rocker.</li> </ul>	
Temperature range	- 12.8 ... 12.7 K
<p>The value for the temperature calibration can be entered here if the temperature measured by the temperature sensor in the push-button differs from the actual room temperature.</p> <p>To determine the temperature deviation, the actual room temperature should be detected with a reference measurement using a calibrated temperature measuring device.</p> <p>The measured value must be raised if the value measured by the sensor is below the actual temperature. The measured value must be lowered if the value measured by the sensor is above the actual temperature.</p>	

## 8 Warranty

The warranty is provided in accordance with statutory requirements via the specialist trade. Please submit or send faulty devices postage paid together with an error description to your responsible salesperson (specialist trade/installation company/electrical specialist trade). They will forward the devices to the Gira Service Center.

**Gira**  
**Giersiepen GmbH & Co. KG**  
 Elektro-Installations-  
 Systeme

Industriegebiet Mermbach  
 Dahlienstraße  
 42477 Radevormwald

Postfach 12 20

42461 Radevormwald

Deutschland

Tel +49(0)21 95 - 602-0

Fax +49(0)21 95 - 602-191

[www.gira.de](http://www.gira.de)

[info@gira.de](mailto:info@gira.de)