

**Wireless operating top unit Memory**

Order no.: 5493 ..

**Wireless operating top unit Memory arrow symbol**

Order no.: 5492 ..

**Wireless operating top unit**

Order no.: 5495 ..

**Wireless operating top unit arrow symbol**

Order no.: 5494 ..

**Operating instructions****1 Safety instructions**

Electrical devices may only be mounted and connected by electrically skilled persons.

Serious injuries, fire or property damage possible. Please read and follow manual fully.

Danger of electric shock. Always disconnect before carrying out work on the device or load. In so doing, take all the circuit breakers into account, which support dangerous voltages to the device and or load.

The radio communication takes place via a non-exclusively available transmission path, and is therefore not suitable for safety-related applications, such as emergency stop and emergency call.

These instructions are an integral part of the product, and must remain with the end customer.

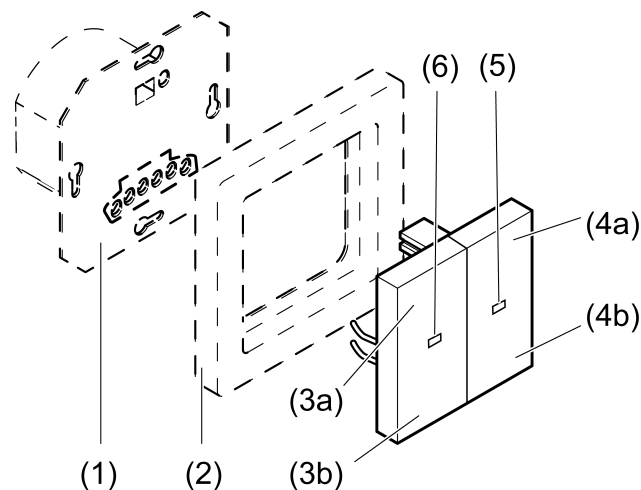
**2 Device components**

Figure 1: 2-gang cover

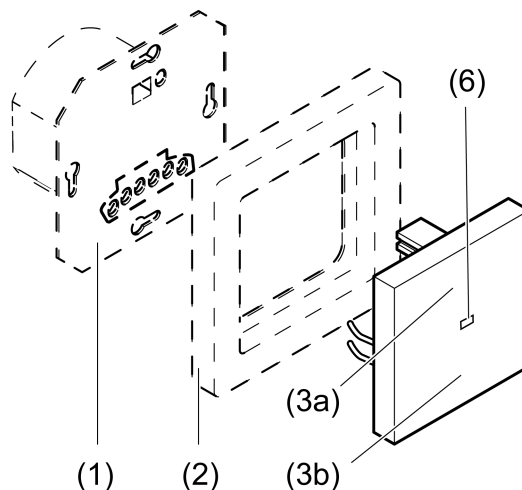


Figure 2: 1-gang cover

- (1) Insert
- (2) Frame
- (3a) Blind/shutter up / light on, brighter
- (3b) Blind/shutter down / light off, darker
- (4a) disabling function
- (4b) Memory function
- (5) Function LED  
Red = Disabling function active  
Green = Memory function active
- (6) Status LED  
Green = Blind/shutter activated / light switched on  
red = sending status  
red flashing = error message, programming mode  
or resetting to the default setting

### 3 Intended use

- Manual, radio- and time-controlled operation of e.g. Venetian blinds, shutters, awnings, lighting or fans
- Transmitter for radio communication of switching, dimming and blind movement commands
- Operation of switching, dimming or Venetian blind insert or 3-wire extension of System 3000

**i** When operating with the eNet Server, operation and signalling could vary from what is described here.

### 4 Product characteristics

- Status feedback to radio transmitter
- Status indication with LED
- Evaluation of extension inputs
- 2 switching times can be saved, which are repeated in a 24-hour cycle (only 2-gang cover)
- Disabling function (only 2-gang cover)
- Night mode (only 2-gang cover)

Functions in combination with Venetian blind insert

- Positioning of the blind/shutter via scene request
- Position for sun protection and twilight

- Running time and ventilation position of the blind/shutter can be saved

Functions in combination with light insert

- Scene operation possible
- Switch-on brightness can be saved permanently when combined with flush-mounted inserts for dimming

Can be set with eNet Server (depending on application)

- Repeater function
- Slat change-over time/fabric-stretching time
- Change-over-time for direction change
- Running direction invertible
- Operation locks
- Deactivating extension evaluation
- Position for sun protection, twilight, lock-out protection and wind alarm
- Maximum brightness
- Minimum brightness
- Dimming speed
- Switch-on delay / switch-off delay
- Dim up/dim down ramp
- Switch-off warning
- Continuous on, Continuous off
- Hotel function
- Run-on time
- Light control

Supplementary functions with eNet Server:

- Fully encrypted radio transmission (AES-CCM)
- Update of the device software
- Reading of error memory

#### **Behaviour after mains voltage return**

- The switching times saved in memory operation have been deleted (only 2-gang cover).
- The response after mains voltage return can be configured with the eNet server.

## **5 Operation of Venetian blind and shutters**

### **Moving the blind/shutter**

- Press button (3a) or (3b) for longer than one second.  
The blind/shutter moves in the desired direction to the end position or stops when the button is pressed again.

**i** If a ventilation position has been saved, the blind stops in the ventilation position when moving down (see Saving the ventilation position).

### **Adjusting the slats**

- Press the button (3a) or (3b) for less than one second.

### **Saving blind/shutter running time**

To perform positioning movements, the blind/shutter running time has to be saved beforehand.

To save blind/shutter running time, the Venetian blind must be moved to the upper end position and the status LED (6) switch off automatically.

- From the top end position, press the button (3b) for longer than second.  
The blind/shutter moves in the lower end position direction.
- Press and hold down the button (3a) and (3b).

The blind/shutter remains stopped, but continues to move after 4 seconds.

- As soon as the blind/shutter has reached the lower end position, release the buttons and press button (3b) within the next 4 seconds.

The running time is saved. The blind/shutter moves back to the upper end position.

- i** The change-over-time of the slats for the venetian blind and time/fabric-stretching time for awnings can only be saved using the eNet server.

### **Saving the ventilation position**

To save the ventilation position, the Venetian blind must be moved to the upper end position and the status LED (6) switch off automatically.

- From the top end position, press the button (3b) for longer than second.  
The blind/shutter moves in the lower end position direction.
- Press and hold down the button (3a) and (3b).  
The blind/shutter remains stopped, but continues to move after 4 seconds.
- As soon as the desired ventilation position has been reached, release the buttons and press the button (3a) within the next 4 seconds.  
The ventilation position is saved. The blind/shutter moves back to the upper end position.

- i** If the ventilation position is saved again, the old value is overwritten.

## **6 Operation of lighting**

### **Switching the light**

- Press button (3a) or (3b) for less than 0.4 seconds.

- i** With a dimming insert, the light switches to the brightness that was last set or a saved brightness.

### **Switch light on with minimum brightness**

- Press the button (3b) for longer than 0.4 seconds.

### **Adjusting the brightness**

- Press button (3a) or (3b) for longer than 0.4 seconds.

### **Save switch-on brightness**

- Adjust the brightness.
- Press the buttons (3a) and (3b) for longer than 4 seconds.  
Switch-on brightness is saved. For confirmation, the light is switched off briefly and switched on again.

### **Delete switch-on brightness**

- Briefly press button (3a) or (3b): Light switches on at the saved switch-on brightness.
- Press the buttons (3a) and (3b) for longer than 4 seconds.  
The switch-on brightness has been deleted.

Switching on takes place at the last brightness value set. For confirmation, the light is switched off briefly and switched on again.

## **7 Transmitter function of the attachment**

In addition to operating its own insert, the attachment also sends radio telegrams to remote eNet actuators. In this way, a comprehensive central control system can be implemented. Irrespective of local use, the attachment can be used for switching, dimming and operating Venetian blinds of remote actuators.

### Signalling of the status LED

As soon as the button (3a) or (3b) is pressed or released, the red status LED first signals radio transmission.

- The status LED lights up red for 3 seconds.

The actuator status/group status is then displayed (see Query group status).

### Polling sum status

- Press buttons (3a) and (3b) for 1 to 4 seconds.

**i** If there is no status message from at least one remote actuator, a transmission error is signaled. Status LED flashes red quickly for 5 seconds.

Signalling of the group status:

- Status LED turns green for 3 seconds:  
At least one actuator is switched on, or one Venetian blind is not in the top end position.
- Status LED remains off:  
All the actuators are switched off or the Venetian blinds are all in the upper end position.

## 8 Activate functions

### Saving switching times – Memory operation (only 2-gang cover)

- In addition to normal operation with the button (3a) or (3b), press the button (4b) for longer than one second.  
The insert switches and the switching time is saved.  
The device switches to memory operation. The function LED (5) turns continuously green.  
Saved switching operations are repeated in a 24-hour cycle.
- i** An upward and downward movement time, or on and off time, can be saved. The old switching time will be replaced if a new one is saved.
- i** To delete all times, press button (4b) for longer than 20 seconds until the function LED (5) lights up green for a second time.
- i** After programming with the eNet Server or **eNet SMART HOME app**, the switching times saved in memory operation have been deleted.

### Activating/deactivating memory operation (only 2-gang cover)

- Press the button (4b) for longer than 4 seconds.  
In memory operation, the function LED (5) turns continuously green.
- i** It is only possible to switch to memory operation if at least one switching time has been saved.

### Activating/deactivating the disabling function (only 2-gang cover)

The disabling function disables extension operation and operation via radio and deactivates all automatic functions. Manual operation using buttons (3a) and (3b) continues to be possible.

- i** With Venetian blinds, extension operation in the "UP" direction (wind alarm) continuous to be possible.
- Press the button (4a) for longer than 4 seconds.  
The function LED (5) is red for as long as the disabling function is active.

### Activating/deactivating night mode (only 2-gang cover)

In night mode, the status and function LEDs are not permanently lit, but only for 5 seconds after a button is pressed.

- Press the buttons (4a) and (4b) for longer than 4 seconds.  
Night mode is activated: The function LED turns red for 3 seconds.  
Night mode is deactivated: The function LED turns green for 3 seconds.

- i** With the 1-gang cover, the night mode can be set on the eNet Server via the parameters (parameter list).

### Resetting the device to the factory setting

All connections to radio transmitters and radio actuators are disconnected and parameters are reset to the default setting.

- i** The connections in the radio transmitters and radio actuators are preserved and must be deleted separately.

Load is switched off.

- Press buttons (3a) and (3b) for longer than 20 seconds until the red status LED flashes quickly.
- Release buttons (3a) and (3b) and press briefly once again within 10 seconds. The red status LED flashes more slowly for approx. 5 seconds.

The attachment is reset to the default setting.

On a Venetian blind insert, a reference run to the upper end position is performed.

## 9 Information for electrically skilled persons



### **DANGER!**

**Mortal danger of electric shock**

**Disconnect the device. Cover up live parts.**

### Fitting the device

Switching, dimming or Venetian blind insert or 3-wire extension are mounted and connected properly (see instructions of the relevant inserts).

- Fit the cover with frame on the insert.
  - Switch on mains voltage.
- i** If the status LED (6) flashes red three times at repeated intervals, the cover was previously connected to another insert. To enable operation again, either place the cover onto the respective insert or press buttons (3a) and (3b) for longer than 4 seconds. When switching to another application, the device should always be reset to the default setting and then reprogrammed.

## 10 Commissioning



### **DANGER!**

**Mortal danger of electric shock.**

**During commissioning, cover the parts carrying voltage on radio transmitters and actuators and in their surrounding area.**

- i** The attachment can also be commissioned with eNet Server as an alternative to the commissioning described here.
- i** The prerequisite for scenes and positioning movements is that the moving times of the connected blind/shutter in the attachment are saved.

### Connecting attachment with radio transmitter

Load is switched off.

- Press buttons (3a) and (3b) for longer than 4 seconds. When operating on a switching or dimming insert, the load is switched on.

The status LED flashes after 4 seconds. The attachment is in programming mode for approx. 1 minute.

- Switch radio transmitter to programming mode (see radio transmitter instructions).
- Trigger telegram on the radio transmitter.

The status LED lights up for 5 seconds.

The attachment is connected to the radio transmitter. The attachment and radio transmitter exit the programming mode automatically.

- i** If the status LED of the attachment flashes 3 times for approx. 5 seconds, then the programming procedure was not successful. All the memory locations in the attachment or radio transmitter are occupied.

### Connecting attachment to radio actuator

- i** Up to 10 radio actuators can be connected to a transmitter in a single step.

- Press buttons (3a) and (3b) simultaneously for longer than 4 seconds. The red status LED flashes. The attachment is in programming mode for approx. 1 minute.

- Switch radio actuator to programming mode (see radio actuator instructions).
- Press button (3a) briefly.

The red status LED lights up for approx. 5 seconds. The attachment and actuator exit the programming mode automatically.

- i** If the red status LED of the attachment flashes 3 times for approx. 5 seconds, then the programming procedure was not successful. The radio actuator is outside the radio range, not in programming mode or there are radio faults.

- i** If the red status LED of the radio actuator flashes 3 times for approx. 5 seconds, then the programming procedure was not successful. All the memory locations in the attachment or radio actuator are occupied.

- i** Press buttons (3a) and (3b) once again simultaneously for longer than 4 seconds to terminate the programming mode prematurely.

### Disconnecting connection to a radio transmitter or radio actuator

- Carry out the same steps as when connecting (see Connecting attachment to radio transmitter or Connecting attachment to radio actuator).

The status LED flashes quickly for 5 seconds. The attachment is disconnected from the radio transmitter or radio actuator. The attachment and radio transmitter or radio actuator exit the programming mode automatically.

- i** If there several connections or scene buttons for a radio transmitter, all connections must be disconnected individually.
- i** All On and All Off buttons of a radio transmitter are disconnected automatically as soon as the last connection of the corresponding output to the radio transmitter is disconnected. Manual disconnection is not possible.

## 11 Technical data

Ambient temperature	-5 ... +45 °C
Storage/transport temperature	-20 ... +70 °C
Transmitting range in free field	typ. 100 m
Radio frequency	868.0 ... 868.6 MHz
Transmission capacity	max. 20 mW
Receiver category	2

## 12 Parameter list

The device parameters can be changed with the eNet Server.

### Device and channels

Parameters	Setting options Basic setting	Explanations
Sensor channel function	Rocker, Unused Basic setting: Rocker	Rocker The channel works as a channel button.  Unused The channel is not displayed in the <b>eNet SMART HOME app</b> and is disabled for use in the commissioning interface.
Actuator channel function	Switch insert, Dimming insert, Extension insert, Venetian blind insert, Switch insert 2-channel, Unknown insert Unused	The attachment function depends on the application. For catalogue devices, the insert on which the attachment is operated must be selected at this point.  For devices from the device search, the existing insert is displayed. This setting cannot be altered.
"Switching" operating mode	Switching operation Push-button operation flashing Continuous on Continuous off Basic setting: Switching operation	Switching operation After switch-on, the device remains stable in the "On" state, and stable in the "Off" state after switch-off.  Push-button operation The device switches "On" when the channel button of a radio transmitter is pressed, if the attachment is pressed directly or via an extension and "Off" when the button is released. It is irrelevant whether the "On" or "Off" button is pressed.  flashing Switch-on starts flashing and switch-off stops flashing. The default flash frequency is 1 Hz. This frequency is also the maximum flash frequency. The flash frequency can be changed using parameters. The parameter "Switch-off delay" is used for the pulse time and the parameter "Switch-on delay" for the pause time.  Continuous on The output switches to continuously "On". All operations of radio transmitters, via an extension or directly on the attachment are ignored.  Continuous off The output switches to continuously "Off". All operations of radio transmitters, via an extension or directly on the attachment are ignored.
"Switching" function	Light (switching), Switching, Unused Basic setting: Light (switching)	Light (switching) The channel is integrated for the "Lighting" central function in the <b>eNet SMART HOME app</b> .  Switching The channel is not integrated in any central func-



Parameters	Setting options Basic setting	Explanations
		tion.  Unused The channel is not displayed in the <b>eNet SMART HOME app</b> and is disabled for use in the commissioning interface.
Operating mode "Dimming"	Normal operation Continuous on Continuous off Basic setting: Normal operation	Normal operation The insert can be operated with radio transmitters, via an extension or directly on the attachment.  Continuous on The output switches to continuously "On". All operations of radio transmitters, via an extension or directly on the attachment are ignored.  Continuous off The output switches to continuously "Off". All operations of radio transmitters, via an extension or directly on the attachment are ignored.
"Dimming" function	Light (dimming), Unused Basic setting: Light (dimming)	Light (dimming) The channel is integrated for the "Lighting" central function in the <b>eNet SMART HOME app</b> .  Unused The channel is not displayed in the <b>eNet SMART HOME app</b> and is disabled for use in the commissioning interface.
Operating mode "Extension operation"	Normal operation Continuous on Continuous off Basic setting: Normal operation	Normal operation The attachment is located on a 3-wire extension and can operate the main device via radio transmitter or directly on the attachment.  Continuous on The output switches to continuously "On". All operations of radio transmitters or directly on the attachment are ignored.  Continuous off The output switches to continuously "Off". All operations of radio transmitters or directly on the attachment are ignored.
Function "Extension operation"	Light (dimming), light (switching), unused Basic setting: Light (dimming)	The attachment is located on a 3-wire extension. The function of the main device can be entered here.  Light (dimming) The channel is integrated for the "Lighting" central function in the <b>eNet SMART HOME app</b> .  Light (switching) The channel is integrated for the "Lighting" central function in the <b>eNet SMART HOME app</b> .

Parameters	Setting options Basic setting	Explanations
		<p>Switching The channel is not integrated in any central function.</p> <p>Unused The channel is not displayed in the <b>eNet SMART HOME app</b> and is disabled for use in the commissioning interface.</p>
"Venetian blind" operating mode	Roller shutter Venetian blind Awning Basic setting: Roller shutter	<p>Roller shutter A shutter is controlled. The channel is integrated for the "Venetian blind" central function in the <b>eNet SMART HOME app</b>.</p> <p>Venetian blind A Venetian blind is controlled. The channel is integrated for the "Venetian blind" central function in the <b>eNet SMART HOME app</b>.</p> <p>Awning An awning is controlled. The channel is not integrated into the "Venetian blind" central function in the <b>eNet SMART HOME app</b>.</p>
Operating mode "2-channel switch insert"	Switching operation Push-button operation flashing Continuous on Continuous off Basic setting: Switching operation	<p>Switching operation After switch-on, the device remains stable in the "On" state, and stable in the "Off" state after switch-off.</p> <p>Push-button operation The device switches "On" when the channel button of a radio transmitter is pressed, if the attachment is pressed directly or via an extension and "Off" when the button is released. It is irrelevant whether the "On" or "Off" button is pressed.</p> <p>flashing Switch-on starts flashing and switch-off stops flashing. The default flash frequency is 1 Hz. This frequency is also the maximum flash frequency. The flash frequency can be changed using parameters. The parameter "Switch-off delay" is used for the pulse time and the parameter "Switch-on delay" for the pause time.</p> <p>Continuous on The output switches to continuously "On". All operations of radio transmitters, via an extension or directly on the attachment are ignored.</p> <p>Continuous off The output switches to continuously "Off". All operations of radio transmitters, via an extension or directly on the attachment are ignored.</p>

Parameters	Setting options Basic setting	Explanations
Function "2-channel switch insert"	Light (switching) + fan Switching + fan Light (switching) Switching Unused Basic setting: Light (switching) + fan	<p>Light (switching) + fan The light channel is integrated into the "Lighting" central function in the <b>eNet SMART HOME app</b>. The fan channel switches on and off with a delay depending on the set parameters.</p> <p>Switching + fan The switching channel is not integrated in any central function. The fan channel switches on and off with a delay depending on the set parameters.</p> <p>Light (switching) The channel is integrated for the "Lighting" central function in the <b>eNet SMART HOME app</b>. Both channels of the switch insert switch in parallel.</p> <p>Switching The channel is not integrated in any central function. Both channels of the switch insert switch in parallel.</p> <p>Unused The channel is not displayed in the <b>eNet SMART HOME app</b> and is disabled for use in the commissioning interface.</p>

#### Device settings

Parameters	Setting options, Basic setting	Explanations
Night mode	On, Off Basic setting: Off	In night mode, the status LED is not permanently lit, but only for 5 seconds after a button is pressed. Note: This parameter only applies to the 1-gang cover.

#### Advanced device settings

Parameters	Setting options, Basic setting	Explanations
Manual commissioning	On, Off Basic setting: On	Disables manual commissioning for all device channels. In the "Off" setting, the device cannot be reset to the factory setting.
Repeater mode	On, Off Basic setting: Off	In addition to its other functions, the device can be used as a repeater. In the "On" setting, the device repeats all the received telegrams.

Parameters	Setting options, Basic setting	Explanations
Allow extension unit operation	On, Off Basic setting: On	Allows operation via wired extensions.

**Extended channel settings Sensor channel**

Parameters	Setting options, Basic setting	Explanations
Manual commissioning	On, Off Basic setting: On	Blocks manual commissioning for the sensor channel. In the "Off" setting, the device cannot be reset to the factory setting.
Local Operation	On, Off Basic setting: On	Blocks the sensor operation of the button. Telegrams are no longer transmitted to remote actuators.

**Channel settings "switching"**

Parameters	Setting options, Basic setting	Explanations
Switch-on delay	0 s ... 24 h Basic setting: 0 s	The load switches on after a delay. Repeated switch-on commands restart the delay time. If the load has not yet been switched on due to the delay when a switch-off command comes, then the load will remain off. In Flashing operating mode, the pause time is set using this parameter.
Switch-off delay	0 s ... 24 h Basic setting: 0 s	The load switches off after a delay. Repeated switch-off commands restart the delay time. If the load has not yet been switched off due to the delay when a switch-on command comes, then the load will remain on. In Flashing operating mode, the pulse times are set using this parameter.
Run-on time	0 s ... 24 h Basic setting: 0 s	If a run-on time is entered and the "Use run-on time" parameter is activated, the actuator no longer remains permanently switched on, but only for the duration of the run-on time entered here or transmitted by a motion detector. The run-on time is restarted if actuation is repeated. A motion detector command without transmitted run-on time (e.g. from an extension) leads to switching on for the duration of the run-on time entered here. If no run-on time is entered here, the default run-on time of 2 minutes is applied.
Use run-on time	On, Off Basic setting: Off	On: If a run-on time is configured ( $\neq 0$ s), in addition to motion detector commands, all switching or dimming commands also lead to switching on for the duration of the run-on time.  If no run-on time is configured ( $= 0$ s), all switching or dimming commands result in permanent switching of the load. As soon as the attachment receives a motion detector command, the transmitted run-on time is

Parameters	Setting options, Basic setting	Explanations
		<p>automatically entered in the "Run-on time" parameter and this then also applies to all switching and dimming commands.</p> <p>Off: Only motion detector commands lead to switching on for the duration of the transmitted or set run-on time. The load is permanently switched for switching and dimming commands.</p>
Manual switch-off of the run-on time	On, Off Basic setting: Off	Allows manual switch-off of a running run-on time. If the parameter is switched off, then a switch-off command will also switch the actuator on. Only visible if a run-on time was set.
Operating hours	0 ... 65535 Basic setting: Current value	The time is counted during which the load is switched on (relay contact closed). This parameter can be reset to "0", for example after exchanging the load. The Reset button is used to reset the counter to "0". The device must be programmed to apply the change.

#### Extended channel settings "switching"

Parameters	Setting options, Basic setting	Explanations
Operating mode	Switching operation Push-button operation flashing Continuous on Continuous off Basic setting: Switching operation	See Device and channels.
Manual commissioning	On, Off Basic setting: On	Blocks manual commissioning for the device channel. In the "Off" setting, the device cannot be reset to the factory setting.
Local Operation	On, Off Basic setting: On	Blocks the output for operation using the button.
Behaviour on voltage return	On Off Last value Basic setting: Off	Defines the behaviour of the output after voltage return.
Timer behaviour, voltage return	Off Restart Basic setting: Off	Specifies whether an active switch-on delay, switch-off delay or run-on time remains off or restarts after voltage return. Directly connected to the parameters "Switch-on delay", "Switch-off delay" and "Run-on time".
Behaviour after the end of the disabling function	On Off no change Last value Basic setting: No change	Behaviour of the output when a block is removed.

Parameters	Setting options, Basic setting	Explanations
Manual saving of the scene values	On, Off Basic setting: On	Disables the saving of the current actuator state (On/Off) as scene value in an actuator for a command via a transmitter.
Switch-off warning	On, Off Basic setting: Off	If the switch-off warning is active, the light is not switched off directly. The light briefly goes off 30, 20 and 10 seconds before permanent switch-off. During the switch-off warning, a switch-on command activates direct switch-on. It is not possible to terminate the time using a switch-off command.
Priority, lock-out protection	0...4 Basic setting: 1	Specifies the priority for recalling and removing a scene of type Lock-out protection for the channel.
Activate lock-out protection switching state	On, Off Basic setting: Off	Defines the behaviour of the output on activating the lock-out protection.
Deactivate lock-out protection switching state	On, Off Basic setting: Off	Defines the behaviour of the output on deactivating the lock-out protection. Only visible when the priority for the lock-out protection is 0.
Priority, restraint	0...4 Basic setting: 2	Specifies the priority for recalling and removing a scene of type Restraint for the channel.
Activate forced operation switching state	On, Off Basic setting: On	Defines the behaviour of the output on activating the forced operation.
Deactivate forced operation switching state	On, Off Basic setting: Off	Defines the behaviour of the output on deactivating the forced operation. Only visible when the priority for the forced operation is 0.
Priority, wind alarm	0...4 Basic setting: 3	Specifies the priority for recalling and removing a scene of type Wind alarm for the channel.
Activate wind alarm switching state	On, Off Basic setting: Off	Defines the behaviour of the output on activating the wind alarm.
Deactivate wind alarm switching state	On, Off Basic setting: Off	Defines the behaviour of the output on deactivating the wind alarm. Only visible when the priority for the wind alarm is 0.
Priority, sun protection	0...4 Basic setting: 0	Specifies the priority for recalling and removing a scene of type Sun protection for the channel.
Activate sun protection switching state	On, Off Basic setting: On	Defines the behaviour of the output on deactivating the sun protection. Only visible when the priority for the sun protection is 0.
Deactivate sun protection switching state	On, Off Basic setting: Off	Defines the behaviour of the output on deactivating the sun protection. Only visible when the priority for the sun protection is 0.
Priority, twilight	0...4 Basic setting: 0	Specifies the priority for recalling and removing a scene of type Twilight for the channel.
Activate twilight switching state	On, Off Basic setting: On	Defines the behaviour of the output on activating the twilight function.

Parameters	Setting options, Basic setting	Explanations
Deactivate twilight switching state	On, Off Basic setting: Off	Defines the behaviour of the output on deactivating the twilight function. Only visible when the priority for the twilight function is 0.
Invert switching output	On, Off Basic setting: Off	Inverts the switching output from NO contact function (factory setting) to NC contact function
Minimum switching repeat time	100 ms ... 10 s Basic setting: 100 ms	Limits the switching speed of the device by increasing the value, in order to protect the load, for example. Only when the set time has elapsed is switching possible again. The last command during the blocking time is executed after a delay. The switching repeat time starts after each switching operation.

### Channel settings "dimming"

Parameters	Setting options, Basic setting	Explanations
Switch-on brightness	1...100 % Basic setting: 100 %	During brief operation, the output switches on at the set switch-on brightness. Note: If the value is above the set maximum brightness or below the minimum brightness, then the system will switch to the appropriate limit value.
Minimum brightness	1...67 % Basic setting: 5 %	Specifies the minimum settable brightness. Note: If parameters or scene values are set to a level lower than the minimum brightness, then the system will dim to minimum brightness.
Maximum brightness	75...100 % Basic setting: 100 %	Specifies the maximum settable brightness. Note: If parameters or scene values are set to a level higher than the maximum brightness, then the system will dim to maximum brightness.
Dimming adjustment time	1...60 s Basic setting: 4 s	Time from minimum brightness until reaching maximum brightness (dimming speed).
Switch-on delay	0 s ... 24 h Basic setting: 0 s	The load switches on after a delay. Repeated switch-on commands restart the delay time. If the load has not yet been switched on due to the delay when a switch-off command comes, then the load will remain off.
Switch-off delay	0 s ... 24 h Basic setting: 0 s	The load switches off after a delay. Repeated switch-off commands restart the delay time. If the load has not yet been switched off due to the delay when a switch-on command comes, then the load will remain on.
Dim up ramp	0 s ... 24 h Basic setting: 0 s	Time between switch-on and reaching switch-on brightness. The light is switched on at minimum brightness and then dimmed to the switch-on brightness. Only applies to switch-on with transmitters (short operation). If scenes are recalled or switching uses logic modules, the switch-on brightness is approached using so-called soft dimming (not configurable).

Parameters	Setting options, Basic setting	Explanations
Dim down ramp	0 s ... 24 h Basic setting: 0 s	Time until reaching minimum brightness. The light is dimmed to minimum brightness and then switched off. Only applies to switch-off with transmitters (short operation). If scenes are recalled or switching uses logic modules, the system switches off directly.
Run-on time	0 s ... 24 h Basic setting: 0 s	If a run-on time is entered and the "Use run-on time" parameter is activated, the actuator no longer remains permanently switched on, but only for the duration of the run-on time entered here or transmitted by a motion detector. The run-on time is restarted if actuation is repeated. A motion detector command without transmitted run-on time (e.g. from an extension) leads to switching on for the duration of the run-on time entered here. If no run-on time is entered here, the default run-on time of 2 minutes is applied.
Use run-on time	On, Off Basic setting: Off	<p>On: If a run-on time is configured (<math>\neq 0</math> s), in addition to motion detector commands, all switching or dimming commands also lead to switching on for the duration of the run-on time.</p> <p>If no run-on time is configured (<math>= 0</math> s), all switching or dimming commands result in permanent switching of the load. As soon as the attachment receives a motion detector command, the transmitted run-on time is automatically entered in the "Run-on time" parameter and this then also applies to all switching and dimming commands.</p> <p>Off: Only motion detector commands lead to switching on for the duration of the transmitted or set run-on time. The load is permanently switched for switching and dimming commands.</p>
Manual switch-off of the run-on time	On, Off Basic setting: Off	Allows manual switch-off of a running run-on time. If the parameter is switched off, then a switch-off command will also switch the actuator on. Only visible if a run-on time was set.
Switch on to last brightness	On, Off Basic setting: Off	Allows you to switch the lighting on at the same brightness value that was used before it was last switched off. With the "Off" setting, the lighting is switched on with the brightness saved in the "Switch-on brightness" parameter.



Parameters	Setting options, Basic setting	Explanations
Operating hours	0...65535 Basic setting: Current value	The time is counted during which the load is switched on. This parameter can be reset to "0", for example after exchanging the load. The Reset button is used to reset the counter to "0". The device must be programmed to apply the change.

**Extended channel settings "dimming"**

Parameters	Setting options, Basic setting	Explanations
Operating mode	Normal operation Continuous on Continuous off Basic setting: Normal Operation	see Device and channels
Manual commissioning	On, Off Basic setting: On	Blocks manual commissioning for the device channel. Note: In the "Off" setting, the device cannot be reset to the factory setting.
Local Operation	On, Off Basic setting: On	Blocks the output for operation using the button.
Behaviour on voltage return	On Off Last value Configured brightness Basic setting: Off	Defines the behaviour of the output after voltage return.
Brightness on voltage return	0...100 % Basic setting: 100 %	Brightness value, set by the output after voltage return (mains voltage). The parameter "Behaviour after voltage return" must be set to "Configured brightness". Note: If the value is above the set maximum brightness or below the minimum brightness, then the system will switch to the appropriate limit value.
Behaviour after the end of the disabling function	On Off no change Last value Basic setting: No change	Behaviour of the output when a block is removed.
Manual saving of the scene values	On, Off Basic setting: On	Disables the saving of the current brightness value as scene value in an actuator for a command via a transmitter.
Switch-off warning	On, Off Basic setting: Off	If the switch-off warning is active, then, during switch-off, the system dims to minimum brightness within 30 seconds and only then switches off. If the parameter "Dim down ramp" is configured as longer than 30 seconds, then the duration of the dim down ramp is applied. If, during the dim down operation, another command is given, e.g. switch on or scene recall, then the switch-off warning stops and the command is executed. A switch-off command restarts the time for the switch-off warning.

Parameters	Setting options, Basic setting	Explanations
Priority, lock-out protection	0...4 Basic setting: 1	Specifies the priority for recalling and removing a scene of type Lock-out protection for the channel. Note: 1 is the highest priority and 4 the lowest. 0 means no priority.
Activate lock-out protection brightness value	0...100 % Basic setting: 0 %	Defines the behaviour of the output on activating the lock-out protection.
Deactivate lock-out protection brightness value	0...100 % Basic setting: 0 %	Defines the behaviour of the output on deactivating the lock-out protection. Only visible when the priority for the lock-out protection is 0.
Priority, restraint	0...4 Basic setting: 2	Specifies the priority for recalling and removing a scene of type Restraint for the channel.
Activate forced operation brightness value	0...100 % Basic setting: 100 %	Defines the behaviour of the output on activating the forced operation.
Deactivate forced operation brightness value	0...100 % Basic setting: 0 %	Defines the behaviour of the output on deactivating the forced operation. Only visible when the priority for the forced operation is 0.
Priority, wind alarm	0...4 Basic setting: 3	Specifies the priority for recalling and removing a scene of Wind alarm type for the channel.
Activate wind alarm brightness value	0...100 % Basic setting: 0 %	Defines the behaviour of the output on activating the wind alarm.
Deactivate wind alarm brightness value	0...100 % Basic setting: 0 %	Defines the behaviour of the output on deactivating the wind alarm. Only visible when the priority for the wind alarm is 0.
Priority, sun protection	0...4 Basic setting: 0	Specifies the priority for recalling and removing a scene of type Sun protection for the channel.
Activate sun protection brightness value	0...100 % Basic setting: 100 %	Defines the behaviour of the output on activating the sun protection.
Deactivate sun protection brightness value	0...100 % Basic setting: 0 %	Defines the behaviour of the output on deactivating the sun protection. Only visible when the priority for the sun protection is 0.
Priority, twilight	0...4 Basic setting: 0	Specifies the priority for recalling and removing a scene of type Twilight for the channel.
Activate twilight brightness value	0...100 % Basic setting: 100 %	Defines the behaviour of the output on activating the twilight function.
Deactivate twilight brightness value	0...100 % Basic setting: 0 %	Defines the behaviour of the output on deactivating the twilight function. Only visible when the priority for the twilight function is 0.
Basic light function	Hotel function, Off Basic setting: Off	If the hotel function is activated, the system will dim to "Hotel function brightness" when a switch-off command is made. Switch-off is only possible with a forced position command. Note: If the minimum brightness is set to greater than "Hotel

Parameters	Setting options, Basic setting	Explanations
		function brightness", then the system dims to the set minimum brightness when the hotel function is activated.
Brightness hotel function	0.4 ... 100 % Basic setting: 20 %	Brightness to which the light is switched when the hotel function is activated, if switched off. The percentage value refers to the maximum brightness.

#### Channel settings "3-wire extension"

Parameters	Setting options, Basic setting	Explanations
Switch-on delay	0 s ... 24 h Basic setting: 0 s	The load switches on after a delay. Repeated switch-on commands restart the delay time. If the load has not yet been switched on due to the delay when a switch-off command comes, then the load will remain off.
Switch-off delay	0 s ... 24 h Basic setting: 0 s	The load switches off after a delay. Repeated switch-off commands restart the delay time. If the load has not yet been switched off due to the delay when a switch-on command comes, then the load will remain on.

#### Extended channel settings "3-wire extension"

Parameters	Setting options, Basic setting	Explanations
Operating mode	Normal operation Continuous on Continuous off Basic setting: Normal Operation	See Device and channels.
Manual commissioning	On, Off Basic setting: On	Blocks manual commissioning for the device channel. In the "Off" setting, the device cannot be reset to the factory setting.
Local Operation	On, Off Basic setting: On	Blocks the output for operation using the button.

#### Channel settings "Venetian blind"

Parameters	Setting options, Basic setting	Explanations
Venetian blind ventilation position	0 ... 100 % Basic setting: 0 %	Position, in which the curtain stops as a ventilation position when moving down.
Slats ventilation position	0 ... 100 % Basic setting: 0 %	Slat position set by a Venetian blind in the ventilation position.
Operating hours, Up	0...65535 Basic setting: Current value	The time is counted during which the load is switched on (relay contact closed). This parameter can be reset to "0", for example after exchanging the load.

Parameters	Setting options, Basic setting	Explanations
		The Reset button is used to reset the counter to "0". The device must be programmed to apply the change.
Operating hours, Down	0...65535 Basic setting: Current value	The time is counted during which the load is switched on (relay contact closed). This parameter can be reset to "0", for example after exchanging the load. The Reset button is used to reset the counter to "0". The device must be programmed to apply the change.

#### Extended channel settings "Venetian blind"

Parameters	Setting options, Basic setting	Explanations
Operating mode	Roller shutter Venetian blind Awning Basic setting: Roller shutter	See Device and channels.
Manual commissioning	On, Off Basic setting: On	Blocks manual commissioning for the device channel. In the "Off" setting, the device cannot be reset to the factory setting.
Local Operation	On, Off Basic setting: On	Blocks the output for operation using the button.
Running time	1 ... 600 s Basic setting: 120 s	Absolute time which the blind/shutter requires from the top to the bottom end position. The entry is essential if scene or position movements are to occur.
Slat change-over time/fabric-stretching time	0 ms ... 10 s 300 ms ... 10 s Basic setting: 0 ms / 300 ms	Absolute time for changing-over Venetian blind slats. The fabric stretching time can also be set here for the Awning operating mode.
Minimum change-over-time	300 ms ... 10 s Basic setting: 1 s	Minimum interruption time when changing directions. Increasing the minimum change-over time will cause less wear on the motors.
Invert movement direction	On, Off Basic setting: Off	Inverts the activation of the relay outputs. During inverted operation, the relay outputs "Up" and "Down" should be activated in reverse. This is required, for example, for controlling skylights.
Behaviour on voltage return	No change Configured value Basic setting: No change	Defines the behaviour of the output after voltage return. RMD design: Bus voltage return.
Configured venetian blind position	0 ... 100 % Basic setting: 0 %	If the "Configured position" value is entered for the parameter "Behaviour after voltage return", then the blind/shutter position set here is approached.
Configured slat position	0 ... 100 % basic setting: 0 %	If the "Configured position" value is entered for the parameter "Behaviour after voltage return", then the slat position set here is approached.

Parameters	Setting options, Basic setting	Explanations
Behaviour after the end of the disabling function	no change Last value Down up Basic setting: No change	Behaviour of the output when a block is removed.
Manual saving of the scene values	On, Off Basic setting: On	Disables the saving of the current Venetian blind position as scene value in an actuator for a command via a transmitter.
Disable wind alarm via extension	On, Off Basic setting: Off	If the function is switched on, the UP signal no longer has increased priority via an extension and can be stopped via local control or radio control.  Note: In order to be able to use the wind alarm function via the extension, this function must be switched on.
Priority, lock-out protection	0...4 Basic setting: 1	Specifies the priority for recalling and removing a scene of type Lock-out protection for the channel.
Activate lock-out protection blind position	0 ... 100 % Basic setting: 0 %	Defines the behaviour of the output on activating the lock-out protection.
Activate lock-out protection slat position	0 ... 100 % Basic setting: 0 %	Defines the slat position of the output on activating the lock-out protection. Only visible when the Venetian blind operating mode is set.
Deactivate lock-out protection blind position	0 ... 100 % Basic setting: 0 %	Defines the behaviour of the output on deactivating the lock-out protection. Only visible when the priority for the lock-out protection is 0.
Deactivate lock-out protection slat position	0 ... 100 % Basic setting: 0 %	Defines the behaviour of the output on deactivating the lock-out protection. Only visible when the priority for the lock-out protection is 0 and the Venetian blind operating mode is set.
Priority, restraint	0...4 Basic setting: 2	Specifies the priority for recalling and removing a scene of type Restraint for the channel.
Activate force operation blind position	0 ... 100 % Basic setting: 0 %	Defines the behaviour of the output on activating the forced operation.
Recall forced operation slat position	0 ... 100 % Basic setting: 0 %	Defines the slat position of the output on activating forced operation. Only visible when the Venetian blind operating mode is set.
Deactivate force operation blind position	0 ... 100 % Basic setting: 0 %	Defines the behaviour of the output on deactivating the forced operation. Only visible when the priority for the forced operation is 0.
Deactivate forced operation slat position	0 ... 100 % Basic setting: 0 %	Defines the slat position of the output on deactivating forced operation. Only visible when the priority for the forced operation is 0 and the Venetian blind operating mode is set.
Priority, wind alarm	0...4 Basic setting: 3	Specifies the priority for recalling and removing a scene of type Wind alarm for the channel.

Parameters	Setting options, Basic setting	Explanations
Activate wind alarm blind position	0 ... 100 % Basic setting: 0 %	Defines the behaviour of the output on activating the wind alarm.
Recall wind alarm slat position	0 ... 100 % Basic setting: 0 %	Defines the slat position of the output on activating the wind alarm. Only visible when the Venetian blind operating mode is set.
Deactivate wind alarm blind position	0 ... 100 % Basic setting: 0 %	Defines the behaviour of the output on deactivating the wind alarm. Only visible when the priority for the wind alarm is 0.
Deactivate wind alarm slat position	0 ... 100 % Basic setting: 0 %	Defines the slat position of the output on deactivating the wind alarm. Only visible when the priority for the wind alarm is 0 and the Venetian blind operating mode is set.
Priority, sun protection	0...4 Basic setting: 0	Specifies the priority for recalling and removing a scene of type Sun protection for the channel.
Activate sun protection blind position	0 ... 100 % Basic setting: 100 %	Defines the behaviour of the output on activating the sun protection.
Recall sun protection slat position	0 ... 100 % Basic setting: 100 %	Defines the slat position of the output on activating the sun protection. Only visible when the Venetian blind operating mode is set.
Deactivate sun protection blind position	0 ... 100 % Basic setting: 0 %	Defines the behaviour of the output on deactivating the sun protection. Only visible when the priority for the sun protection is 0.
Deactivate sun protection slat position	0 ... 100 % Basic setting: 0 %	Defines the slat position of the output on deactivating the sun protection. Only visible when the priority for the sun protection is 0 and the Venetian blind operating mode is set.
Priority, twilight	0...4 Basic setting: 0	Specifies the priority for recalling and removing a scene of type Twilight for the channel.
Activate twilight blind position	0 ... 100 % Basic setting: 100 %	Defines the behaviour of the output on activating the twilight function.
Activate twilight slat position	0 ... 100 % Basic setting: 100 %	Defines the slat position of the output on activating the twilight function. Only visible when the Venetian blind operating mode is set.
Deactivate twilight blind position	0 ... 100 % Basic setting: 0 %	Defines the behaviour of the output on deactivating the twilight function. Only visible when the priority for the twilight function is 0.

Parameters	Setting options, Basic setting	Explanations
Deactivate twilight slat position	0 ... 100 % Basic setting: 0 %	Defines the slat position of the output on deactivating the twilight function. Only visible when the priority for the twilight function is 0 and the Venetian blind operating mode is set.

#### Channel settings "Switching + fan"

Parameters	Setting options, Basic setting	Explanations
Switch-off delay	0 s ... 24 h Basic setting: 0 s	The load switches off after a delay. Repeated switch-off commands restart the delay time. If the load has not yet been switched off due to the delay when a switch-on command comes, then the load will remain on.
Run-on time	0 s ... 24 h Basic setting: 0 s	If a run-on time is entered and the "Use run-on time" parameter is activated, the actuator no longer remains permanently switched on, but only for the duration of the run-on time entered here or transmitted by a motion detector. The run-on time is restarted if actuation is repeated. A motion detector command without transmitted run-on time (e.g. from an extension) leads to switching on for the duration of the run-on time entered here. If no run-on time is entered here, the default run-on time of 2 minutes is applied.
Use run-on time	On, Off Basic setting: Off	<p>On: If a run-on time is configured (<math>\neq 0</math> s), in addition to motion detector commands, all switching or dimming commands also lead to switching on for the duration of the run-on time.</p> <p>If no run-on time is configured (<math>= 0</math> s), all switching or dimming commands result in permanent switching of the load.</p> <p>As soon as the attachment receives a motion detector command, the transmitted run-on time is automatically entered in the "Run-on time" parameter and this then also applies to all switching and dimming commands.</p> <p>Off: Only motion detector commands lead to switching on for the duration of the transmitted or set run-on time. The load is permanently switched for switching and dimming commands.</p>
Manual switch-off of the run-on time	On, Off Basic setting: Off	Allows manual switch-off of a running run-on time. If the parameter is switched off, then a switch-off command will also switch the actuator on. Only visible if a run-on time was set.
Switch off switch-on delay, output 2	On, Off Basic setting: On	With 2-channel inserts, this allows you to switch off the switch-on delay of output 2. If this is switched off, output 2 is simultaneously switched on with output 1.

Parameters	Setting options, Basic setting	Explanations
Switch-on delay, output 2	0 s ... 24 h Basic setting: 2 min	Switch-on delay for output 2 of a 2-channel insert, e.g. for fan control in sanitary facilities.
Switch-off delay, output 2	0 s ... 24 h Basic setting: 5 min	Switch-off delay for output 2 of a 2-channel insert, e.g. for fan control in sanitary facilities.
Operating hours, output 1	0...65535 Basic setting: Current value	The time is counted during which the load is switched on (relay contact closed). This parameter can be reset to "0", for example after exchanging the load. The Reset button is used to reset the counter to "0". The device must be programmed to apply the change.
Operating hours, output 2	0...65535 Basic setting: Current value	The time is counted during which the load is switched on (relay contact closed). This parameter can be reset to "0", for example after exchanging the load. The Reset button is used to reset the counter to "0". The device must be programmed to apply the change.

#### Extended channel settings "Switching + fan"

Parameters	Setting options, Basic setting	Explanations
Operating mode	Switching operation Push-button operation flashing Continuous on Continuous off Basic setting: Switching operation	See Device and channels.
Manual commissioning	On, Off Basic setting: On	Blocks manual commissioning for the device channel. In the "Off" setting, the device cannot be reset to the factory setting.
Local Operation	On, Off Basic setting: On	Blocks the output for operation using the button.
Behaviour on voltage return	On Off Last value Basic setting: Off	Defines the behaviour of the output after voltage return.
Timer behaviour, voltage return	Off Restart Basic setting: Off	Specifies whether an active switch-on delay, switch-off delay or run-on time remains off or restarts after voltage return. Directly connected to the parameters "Switch-on delay", "Switch-off delay" and "Run-on time".
Behaviour after the end of the disabling function	On Off no change Last value Basic setting: No change	Behaviour of the output when a block is removed.
Manual saving of the scene values	On, Off Basic setting: On	Disables the saving of the current actuator state (On/Off) as scene value in an actuator for a command via a transmitter.



Parameters	Setting options, Basic setting	Explanations
Switch-off warning	On, Off Basic setting: Off	If the switch-off warning is active, the light is not switched off directly. The light briefly goes off 30, 20 and 10 seconds before permanent switch-off. During the switch-off warning, a switch-on command activates direct switch-on. It is not possible to terminate the time by using a switch-off command.
Priority, lock-out protection	0...4 Basic setting: 1	Specifies the priority for recalling and removing a scene of type Lock-out protection for the channel.
Activate lock-out protection switching state	On, Off Basic setting: Off	Defines the behaviour of the output on activating the lock-out protection.
Deactivate lock-out protection switching state	On, Off Basic setting: Off	Defines the behaviour of the output on deactivating the lock-out protection. Only visible when the priority for the lock-out protection is 0.
Priority, restraint	0...4 Basic setting: 2	Specifies the priority for recalling and removing a scene of type Restraint for the channel.
Activate forced operation switching state	On, Off Basic setting: On	Defines the behaviour of the output on activating the forced operation.
Deactivate forced operation switching state	On, Off Basic setting: Off	Defines the behaviour of the output on deactivating the forced operation. Only visible when the priority for the forced operation is 0.
Priority, wind alarm	0...4 Basic setting: 3	Specifies the priority for recalling and removing a scene of type Wind alarm for the channel.
Activate wind alarm switching state	On, Off Basic setting: Off	Defines the behaviour of the output on activating the wind alarm.
Deactivate wind alarm switching state	On, Off Basic setting: Off	Defines the behaviour of the output on deactivating the wind alarm. Only visible when the priority for the wind alarm is 0.
Priority, sun protection	0...4 Basic setting: 0	Specifies the priority for recalling and removing a scene of type Sun protection for the channel.
Activate sun protection switching state	On, Off Basic setting: On	Defines the behaviour of the output on deactivating the sun protection. Only visible when the priority for the sun protection is 0.
Deactivate sun protection switching state	On, Off Basic setting: Off	Defines the behaviour of the output on deactivating the sun protection. Only visible when the priority for the sun protection is 0.
Priority, twilight	0...4 Basic setting: 0	Specifies the priority for recalling and removing a scene of type Twilight for the channel.
Activate twilight switching state	On, Off Basic setting: On	Defines the behaviour of the output on activating the twilight function.
Deactivate twilight switching state	On, Off Basic setting: Off	Defines the behaviour of the output on deactivating the twilight function. Only visible when the priority for the twilight function is 0.
Invert switching output	On, Off Basic setting: Off	Inverts the switching output from NO contact function (factory setting) to NC contact function

Parameters	Setting options, Basic setting	Explanations
Minimum switching repeat time	100 ms ... 10 s Basic setting: 100 ms	Limits the switching speed of the device by increasing the value, in order to protect the load, for example. Only when the set time has elapsed is switching possible again. The last command during the blocking time is executed after a delay. The switching repeat time starts after each switching operation.

#### Channel settings "2-wire switching"

Parameters	Setting options, Basic setting	Explanations
Switch-on delay	0 s ... 24 h Basic setting: 0 s	The load switches on after a delay. Repeated switch-on commands restart the delay time. If the load has not yet been switched on due to the delay when a switch-off command comes, then the load will remain off.
Switch-off delay	0 s ... 24 h Basic setting: 0 s	The load switches off after a delay. Repeated switch-off commands restart the delay time. If the load has not yet been switched off due to the delay when a switch-on command comes, then the load will remain on.
Run-on time	0 s ... 24 h Basic setting: 0 s	If a run-on time is entered and the "Use run-on time" parameter is activated, the actuator no longer remains permanently switched on, but only for the duration of the run-on time entered here or transmitted by a motion detector. The run-on time is restarted if actuation is repeated. A motion detector command without transmitted run-on time (e.g. from an extension) leads to switching on for the duration of the run-on time entered here. If no run-on time is entered here, the default run-on time of 2 minutes is applied.
Use run-on time	On, Off Basic setting: Off	<p><b>On:</b> If a run-on time is configured (<math>\neq 0</math> s), in addition to motion detector commands, all switching or dimming commands also lead to switching on for the duration of the run-on time.</p> <p>If no run-on time is configured (<math>= 0</math> s), all switching or dimming commands result in permanent switching of the load. As soon as the attachment receives a motion detector command, the transmitted run-on time is automatically entered in the "Run-on time" parameter and this then also applies to all switching and dimming commands.</p> <p><b>Off:</b> Only motion detector commands lead to switching on for the duration of the transmitted or set run-on time. The load is permanently switched for switching and dimming commands.</p>

Parameters	Setting options, Basic setting	Explanations
Manual switch-off of the run-on time	On, Off Basic setting: Off	Allows manual switch-off of a running run-on time. If the parameter is switched off, then a switch-off command will also switch the actuator on. Only visible if a run-on time was set.
Operating hours	0...65535 Basic setting: Current value	The time is counted during which the load is switched on (relay contact closed). This parameter can be reset to "0", for example after exchanging the load. The Reset button is used to reset the counter to "0". The device must be programmed to apply the change.

### Extended channel settings "2-wire switching"

Operating mode	Switching operation Push-button operation flashing Continuous on Continuous off Basic setting: Switching operation	See Device and channels.
Manual commissioning	On, Off Basic setting: On	Blocks manual commissioning for the device channel. In the "Off" setting, the device cannot be reset to the factory setting.
Local Operation	On, Off Basic setting: On	Blocks the output for operation using the button.
Behaviour on voltage return	On Off Last value Basic setting: Off	Defines the behaviour of the output after voltage return.
Timer behaviour, voltage return	Off Restart Basic setting: Off	Specifies whether an active switch-on delay, switch-off delay or run-on time remains off or restarts after voltage return. Directly connected to the parameters "Switch-on delay", "Switch-off delay" and "Run-on time".
Behaviour after the end of the disabling function	On Off no change Last value Basic setting: No change	Behaviour of the output when a block is removed.
Manual saving of the scene values	On, Off Basic setting: On	Disables the saving of the current actuator state (On/Off) as scene value in an actuator for a command via a transmitter.
Switch-off warning	On, Off Basic setting: Off	If the switch-off warning is active, the light is not switched off directly. The light briefly goes off 30, 20 and 10 seconds before permanent switch-off. During the switch-off warning, a switch-on command activates direct switch-on. It is not possible to terminate the time by using a switch-off command.
Priority, lock-out protection	0...4 Basic setting: 1	Specifies the priority for recalling and removing a scene of type Lock-out protection for the channel.

Activate lock-out protection switching state	On, Off Basic setting: Off	Defines the behaviour of the output on activating the lock-out protection.
Deactivate lock-out protection switching state	On, Off Basic setting: Off	Defines the behaviour of the output on deactivating the lock-out protection. Only visible when the priority for the lock-out protection is 0.
Priority, restraint	0...4 Basic setting: 2	Specifies the priority for recalling and removing a scene of type Restraint for the channel.
Activate forced operation switching state	On, Off Basic setting: On	Defines the behaviour of the output on activating the forced operation.
Deactivate forced operation switching state	On, Off Basic setting: Off	Defines the behaviour of the output on deactivating the forced operation. Only visible when the priority for the forced operation is 0.
Priority, wind alarm	0...4 Basic setting: 3	Specifies the priority for recalling and removing a scene of type Wind alarm for the channel.
Activate wind alarm switching state	On, Off Basic setting: Off	Defines the behaviour of the output on activating the wind alarm.
Deactivate wind alarm switching state	On, Off Basic setting: Off	Defines the behaviour of the output on deactivating the wind alarm. Only visible when the priority for the wind alarm is 0.
Priority, sun protection	0...4 Basic setting: 0	Specifies the priority for recalling and removing a scene of type Sun protection for the channel.
Activate sun protection switching state	On, Off Basic setting: On	Defines the behaviour of the output on deactivating the sun protection. Only visible when the priority for the sun protection is 0.
Deactivate sun protection switching state	On, Off Basic setting: Off	Defines the behaviour of the output on deactivating the sun protection. Only visible when the priority for the sun protection is 0.
Priority, twilight	0...4 Basic setting: 0	Specifies the priority for recalling and removing a scene of type Twilight for the channel.
Activate twilight switching state	On, Off Basic setting: On	Defines the behaviour of the output on activating the twilight function.
Deactivate twilight switching state	On, Off Basic setting: Off	Defines the behaviour of the output on deactivating the twilight function. Only visible when the priority for the twilight function is 0.
Invert switching output	On, Off Basic setting: Off	Inverts the switching output from NO contact function (factory setting) to NC contact function
Minimum switching repeat time	100 ms ... 10 s Basic setting: 100 ms	Limits the switching speed of the device by increasing the value, in order to protect the load, for example. Only when the set time has elapsed is switching possible again. The last command during the blocking time is executed after a delay. The switching repeat time starts after each switching operation.

**Information window**

During channel selection in the Information window, the following settings can be made or values displayed.

**"Switching"**

Display value	Explanations
Load state	The load can be switched on or off.
Restraint	Display of forced position status.
Local disabling function	Shows whether the disabling function has been activated on the attachment
Operating hours	Display of the operating hours since the last restart in the <b>Settings</b> window.

**"Dimming"**

Display value	Explanations
Dim brightness value	The load can be dimmed using the slider or a brightness value entry. Only when "Function" is set to "Light (Dimming)".
Load state	The load can be switched on or off.
Restraint	Display of forced position status.
Local disabling function	Shows whether the disabling function has been activated on the attachment
Operating hours	Display of the operating hours since the last restart in the <b>Settings</b> window.

**"Venetian blind"**

Display value	Explanations
Position value, venetian blind	The position value of the Venetian blind can be changed.
Position value, slat	The position value of the slat can be changed.
Restraint	Display of forced position status.
Lock-out protection	Display of the lock-out protection status
Operating hours UP	Display of the operating hours in the UP direction since the last restart in the <b>Settings</b> window.
Operating hours DOWN	Display of the operating hours in the DOWN direction since the last restart in the <b>Settings</b> window.

**"2-wire switching", "Switching + fan"**

Display value	Explanations
Load state	The load can be switched on or off.
Restraint	Display of forced position status.
Local disabling function	Shows whether the disabling function has been activated on the attachment
Operating hours	Display of the operating hours since the last restart in the <b>Settings</b> window.

Display value	Explanations
Operating hours Fan channel	Display of the operating hours since the last restart in the <b>Settings</b> window. Only displayed if the fan channel has been configured.

## 13 Conformity

Gira Giersiepen GmbH & Co. KG hereby declares that the radio system type, art. no. 5493 .., 5492 .., 5495 .. and 5494 .. complies with Directive 2014/53/EU. You can find the full article number on the device. The complete text of the EU Declaration of Conformity is available under the Internet address:

[www.gira.de/konformitaet](http://www.gira.de/konformitaet)

## 14 Warranty

The warranty is provided in accordance with statutory requirements via the specialist trade. Please submit or send faulty devices postage paid together with an error description to your responsible salesperson (specialist trade/installation company/electrical specialist trade). They will forward the devices to the Gira Service Center.

**Gira**  
**Giersiepen GmbH & Co. KG**  
Elektro-Installations-  
Systeme

Industriegebiet Mermbach  
Dahlienstraße  
42477 Radevormwald

Postfach 12 20  
42461 Radevormwald

Deutschland

Tel +49(0)21 95 - 602-0  
Fax +49(0)21 95 - 602-191

[www.gira.de](http://www.gira.de)  
[info@gira.de](mailto:info@gira.de)